

Pos	Part Number	R	Title	Matr/Spec.	Defa ut/P cs.	Kg.
1	090-02-0082		Topramme	Pl. mm	1	0
2	090-03-0003		Overlægger L=3800	Pl. mm	2	0
3	090-03-0002		Søjle L=3900	Pl. mm	4	0
4	090-03-0005		Overarm kontravægt L=3100	L=3100	1	0
5	090-02-0183		Underarm Cpl.	NG-0,55kW	1	0
6	090-03-0123	A	Kontravægt	Pl. mm	1	0
7	141-01-0013		Sakseløft NG	Assembly	1	0
8	980-02-0003		Strømværter 24 rings komplet	TER serie T0/30A nr. PF2324-K002	1	0
9	090-03-0238		Afstivning for S3000	LZ580	2	0
10	090-04-0130		Afskærmning underarm	Pl. 2 m.L2335	1	0
11	090-02-0040	B	Folieslæde S3000 H+V 0,75kW	Pl. mm	1	0

This drawing is our property  
and is not to be copied,  
reproduced or used in any other  
manner without our approval  
in writing.

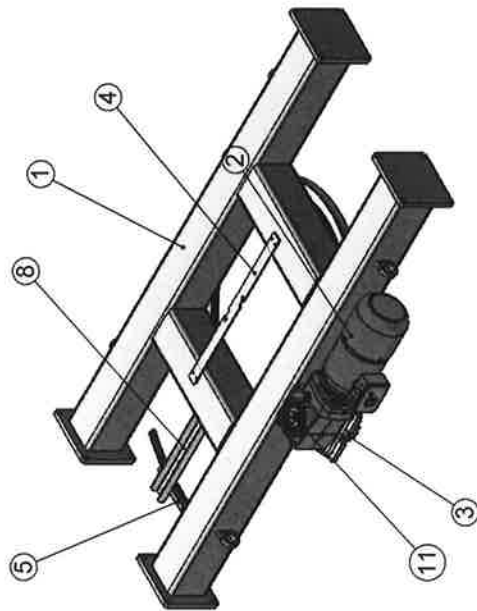
Tolerances: DS/ISO 2768

mm	Free	Normal	Control
<math>0-10</math>	$\pm 0,15$	$\pm 0,1$	$\pm 0,05$
<math>10-30</math>	$\pm 0,2$	$\pm 0,15$	$\pm 0,1$
<math>30-100</math>	$\pm 0,3$	$\pm 0,2$	$\pm 0,15$
<math>100-300</math>	$\pm 0,4$	$\pm 0,3$	$\pm 0,2$
<math>300-1000</math>	$\pm 0,5$	$\pm 0,4$	$\pm 0,3$

**REPACK**  
Kongsdal Havn 4 - DK-9550 Møllegaard - Denmark  
Tel/Ph: +45 98584100 - Fax: +45 98584188  
mailto:repack.com - www.repack.com

S3000 ISS H-V  
Velux  
S279

Sheet scale: 1:25  
Date: 19-04-18  
Repl. Rev.  
Drawing No: 090-01-0110  
Scale: A2



Pos	Part Number	R	Title	Matr/Spec.	NordGear 4,0kW/QTY	Kg.
1	090-03-0014	A	Topramme S3000	B=2240	1	0
2	3600-18-0001		Tandkrans $\varnothing$ 1050	Modul 8. Z=129	1	0
3	*210-02-0003	A	Modulhjul M8 - z21	Model 8 med nav, 21 tdr. PA6	1	0
4	*090-04-0065		Plade for strømovertørelse	Pl. 5 mm	1	0
5	*090-03-0061		Nokke Sv.	Pl. mm	1	0
6	*090-05-0033		C-profil valset	C-profil 28x15x8x2, L=575	1	0
7	*090-04-0075	A	Beslag følger tandkrans	Pl 3 mm (Galvaniseret plade)	1	0
8	090-03-0145		Beslag f. induktiv aftaster	Pl. mm	1	0
9	*070-06-0044		Låseskive	$\varnothing$ 40	1	0
10	4604-04-0003		Umbraco undersænket	M10x25	2	0
11	*070-06-0056		Låseskive	$\varnothing$ 50	1	0
12	*090-06-0097	A	Aksel $\varnothing$ 35 NG- 92672.1A	$\varnothing$ 50/35/30, L=254,5	1	0
13	090-04-0222	C	Motorflange	Pl. 20 mm	1	0
14	R86		Keglegear 92672.1A- 112MH/4 Bre 20	4kW i=5,64 N2=255 M5 KK2/I Hulaksel $\varnothing$ 35H7	1	0

This drawing is our property  
and will be destroyed  
made available to third person  
not copied or used in any other  
way, without our consent  
in writing.

**REOPACK**

Kongsdal Havn 4 - DK-9550 Marlaget - Denmark  
Tel/Ph. +45 98584100 - Fax. +45 98584188  
mail@reo-pack.com - www.reo-pack.com

Topramme  
S3000

Tolerances: DS/ISO 2768

mm	Fine	Medium	Coarse
-6	$\pm 0,05$	$\pm 0,1$	$\pm 0,2$
>6-30	$\pm 0,1$	$\pm 0,2$	$\pm 0,5$
>30-120	$\pm 0,15$	$\pm 0,3$	$\pm 0,8$
>120-400	$\pm 0,2$	$\pm 0,5$	$\pm 1,2$
>400-1000	$\pm 0,3$	$\pm 0,8$	$\pm 2,0$

Sheet scale:

1:20

Surf:

Date: 03.04.08

Sign. jap

Repl.

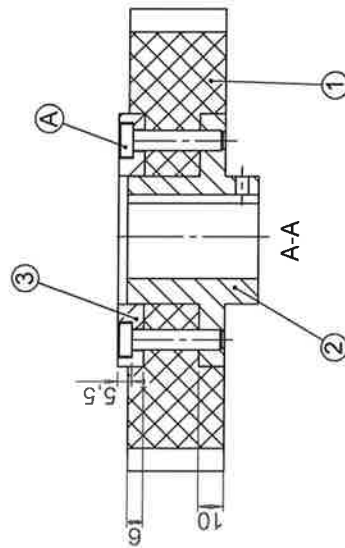
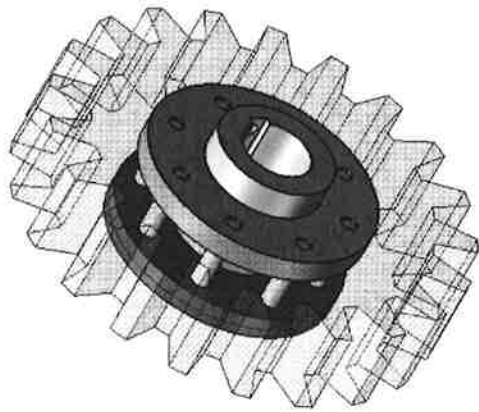
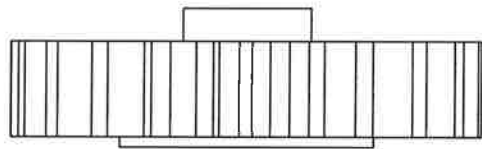
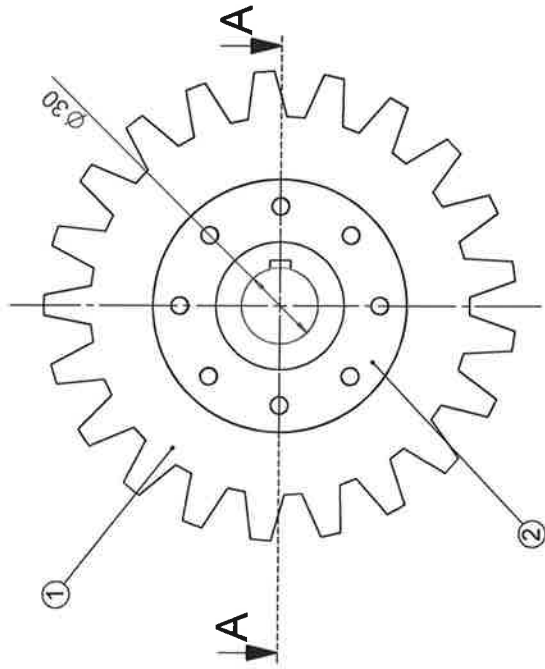
Drawing No:

090-02-0082

rev.

S:090-53000/Swing 02-Montage undersamlinger/V  
090-02-0082 Topramme S3000 (S2071)

A3



Pos	Part Number	R Title	Matr/Spec.	Defa uit/P CS.	Date	Sign.
1	210-05-0007	A Modulhjul PA6	Ø184	1	19-05-2016	HN
2	*210-06-0004	A Stålnav modulhjul M8	Ø100	1		
3	*210-06-0005	B Skive for Unbraco	10 mm	1		
4	4640-05-0006	Unbraco M8x35	DIN6912-lav hoved	8		

Rev.No.	Description	Date	Sign.
A	US M8 ændr.til Unbraco M8	19-05-2016	HN

Sheet scale:	Surf:	Date:	Sign.
1:2		12-12-08	hjn

Drawing No:	rev.
101.046.4	

**REOPACK**  
 Kongsdal Havn 4 - DK-9550 Marlaget - Denmark  
 Tel/Ph. +45 98584100 - Fax. +45 98584188  
 mail@reo-pack.com - www.reo-pack.com

**Modulhjul M8 - z21**

Tolerances: DS/ISO 2768

mm	Fine	Medium	Coarse
-6	±0.05	±0.1	±0.2
>6-30	±0.1	±0.2	±0.5
>30-120	±0.15	±0.3	±0.8
>120-400	±0.2	±0.5	±1.2
>400-1000	±0.3	±0.6	±2.0

This drawing is our property  
 and shall remain confidential.  
 It is made available to you in writing,  
 not copied or used in any other  
 way, without our consent  
 in writing.

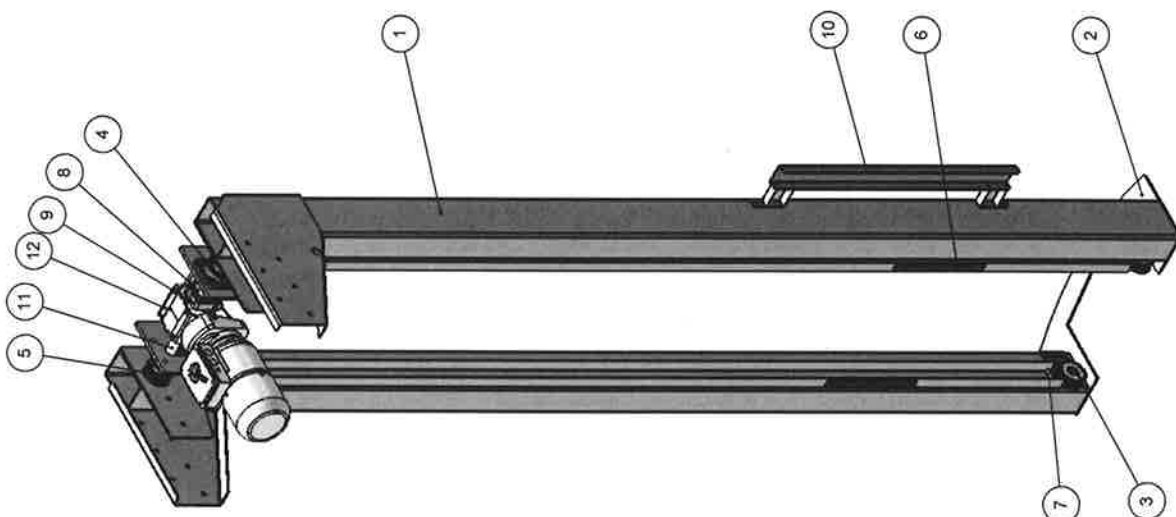
Repl.	Date:	Sign.
101.046.4	12-12-08	hjn

\*210-02-0003

A3

§ 10: 028 drejlebords, 102: Montage undersamlinger  
 2: 02-02-0003 M02z 8 hjul, 021 m, nov



Pos	Part Number	R	Title	Matr/Spec.	NordGear/QTY.	Kg.
1	090-03-0006-C		Underarm for S3000	Svt	1	0
2	090-04-0013 A		Bundpl. f. underarm	Pl. 6 mm	1	0
3	090-02-0003		Tandremshjul Cpl.	T10, Z=24, B=30	2	0
4	3600-03-0009		Flangeleje	UCF 206 (Ø30)	2	0
5	090-05-0031 B		Tandremskive	40 T10 24 Z, Z=24 rembr. 25 ø30	2	0
6	3005-05-0002		Tandrem	T10-25, L=6650	2	0
7	090-04-0086 A		Vinkeljern til stop	20x20x4 L=50	2	0
8	090-06-0047 A		Takthjul 1/2" - Z=21	Z=21 (Neddrejet) ø30	1	0
9	900-10-0007		Beslag for takthjul	Pl. 3 mm	1	0
10	090-03-0042 B		Holder f. energikæde	Pl. mm	1	0
11	090-06-0002		Åksel for remthjul	Ø30x242	2	0
12	R88		NG SK92172.1A-80S/4 BRE 10	0.55KW i=24,8 n2=55 IM1 KK4II	1	0

Surf:		Sheet scale:	Sign.
1:10	1:10	Date:	20-04-18
		Repl.	din
Drawing No.:		090-02-0183	
rev:			

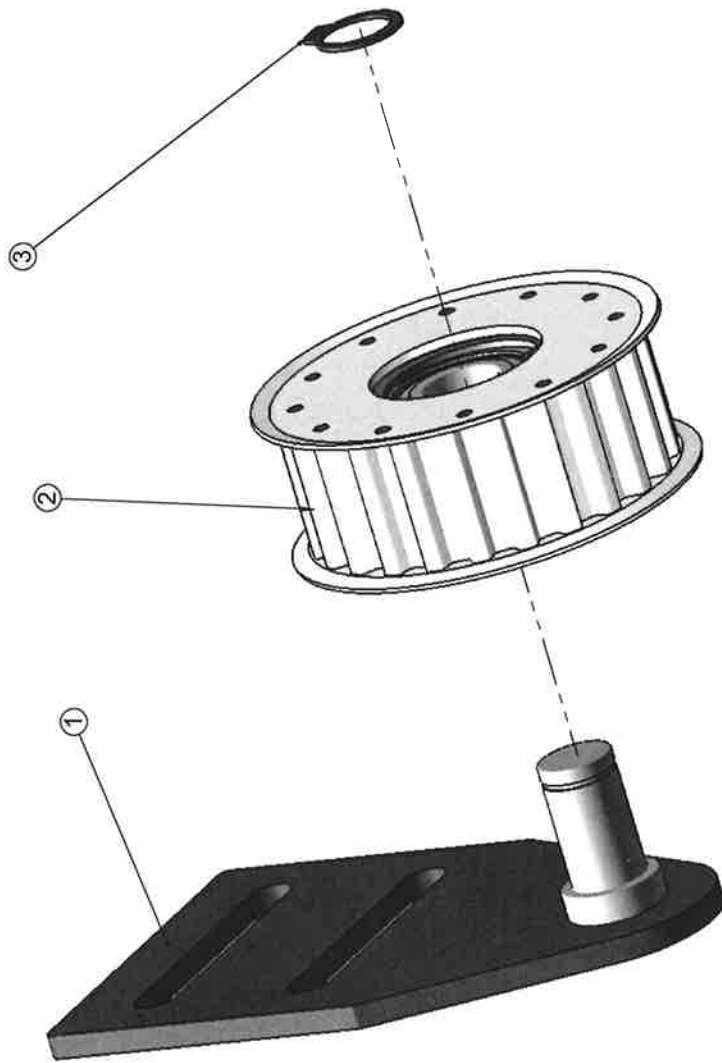
**REOPACK**  
 Kongedal Havn 4 - DK-9550 Mørager - Danmark  
 Tel/Ph. +45 98584100 - Fax: +45 98584188  
 mail@reo-pack.com - www.reo-pack.com

**Underarm Cpl.**  
 L3220  
 S3000

Tolerances: DS/ISO 2768

mm	Fit	Maximum	Minimum	Code
0.05	H7	+0.02	0	H7
0.05	f7	0	-0.02	f7
+0.50	±0.1	±0.2	±0.5	
>0.100	±0.15	±0.3	±0.8	
>120-400	±0.2	±0.5	±1.2	
>400-1000	±0.3	±0.8	±2.0	

This drawing is our property and is not to be reproduced, made, copied or used in any other way without our consent.



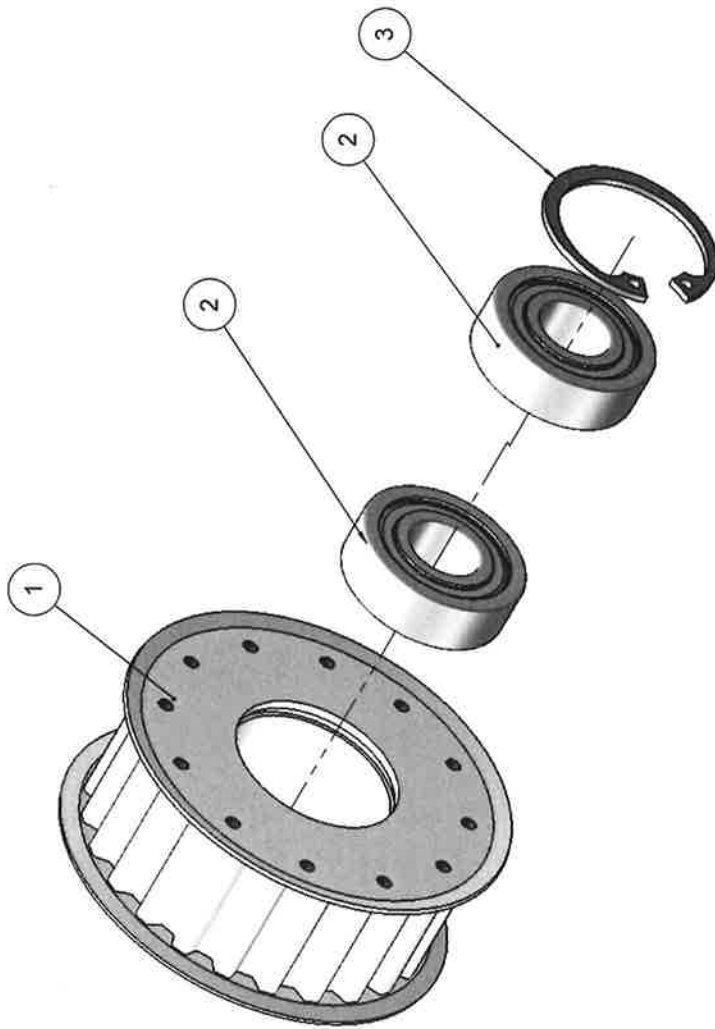
Pos	Part Number	Title	Matr/Spec.	Pcs.	Kg.
1	*090-03-0011	Beslag for tandremshjul Sv	Pl. mm	1	0.349
2	090-02-0042	Tandremshjul m. lejer	Pl. mm	1	0.345
3	4803-01-0003	Seeger ring	Ø15 DIN 471	1	0.001

<p>This drawing is our property and should not be shown, made visible to third person, not copied or used in any other way, without our consent in writing.</p>		<p><b>REOPACK</b> Kongsdal Havn 4 - DK-9550 Marbjerg - Denmark Tel/Ph: +45 98584100 - Fax: +45 98584188 mail@reo-pack.com - www.reo-pack.com</p>		Sheet scale: 1:1 Date: 12-10-07 Sign. jap Repl.
Tolerances: DS/ISO 2768		Drawing No: 090-02-0003		
mm	Fine	Medium	Coarse	
-6	±0.05	±0.1	±0.2	
>6-30	±0.1	±0.2	±0.5	
>30-120	±0.15	±0.3	±0.8	
>120-400	±0.2	±0.5	±1.2	
>400-1000	±0.3	±0.8	±2.0	

Tandremshjul Cpl.		090-02-0003
Underarm S3000 Cpl.		



Pos	Part Number	R Title	Matr/Spec.	Pcs.	Kg.
1	*090-05-0008	A Tandremshjul	40 T10 24 2 Z=24 rembr.25	1	0.25
2	*3600-15-0001	Sporkugleleje	6202.2RS	2	0.088
3	4803-02-0001	Seegerring Ø35 DIN 472	indvendig	1	0.003

This drawing is our property and should not be shown, made available to third person, copied, reproduced in any other way, without our consent in writing.

Tolerances: DS/ISO 2768

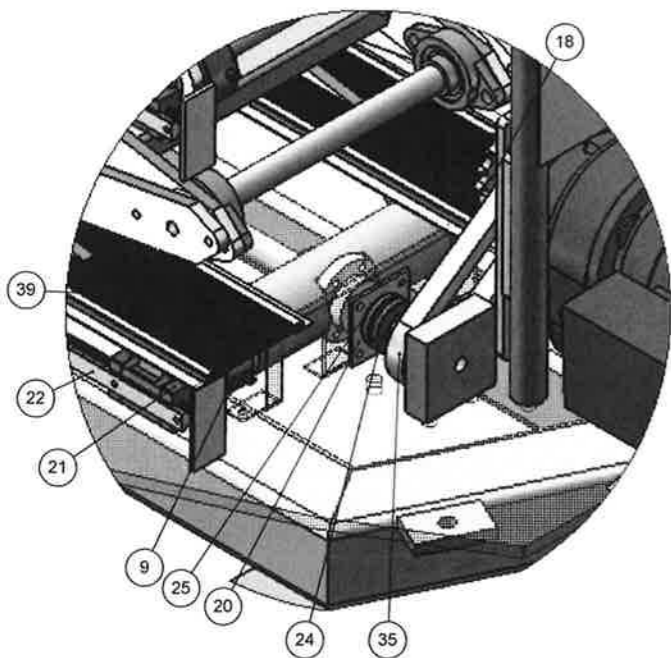
mm	Fine	Medium	Coarse
-6	± 0.05	± 0.1	± 0.2
>6-30	± 0.1	± 0.2	± 0.5
>30-120	± 0.15	± 0.3	± 0.8
>120-400	± 0.2	± 0.5	± 1.2
>400-1000	± 0.3	± 0.8	± 2.0

**REOPACK**  
 Kongssdal Havn 4 · DK-9550 Mariboeg · Denmark  
 Tel/Ph: +45 98584100 · Fax: +45 98584188  
 mail@reo-pack.com · www.reo-pack.com

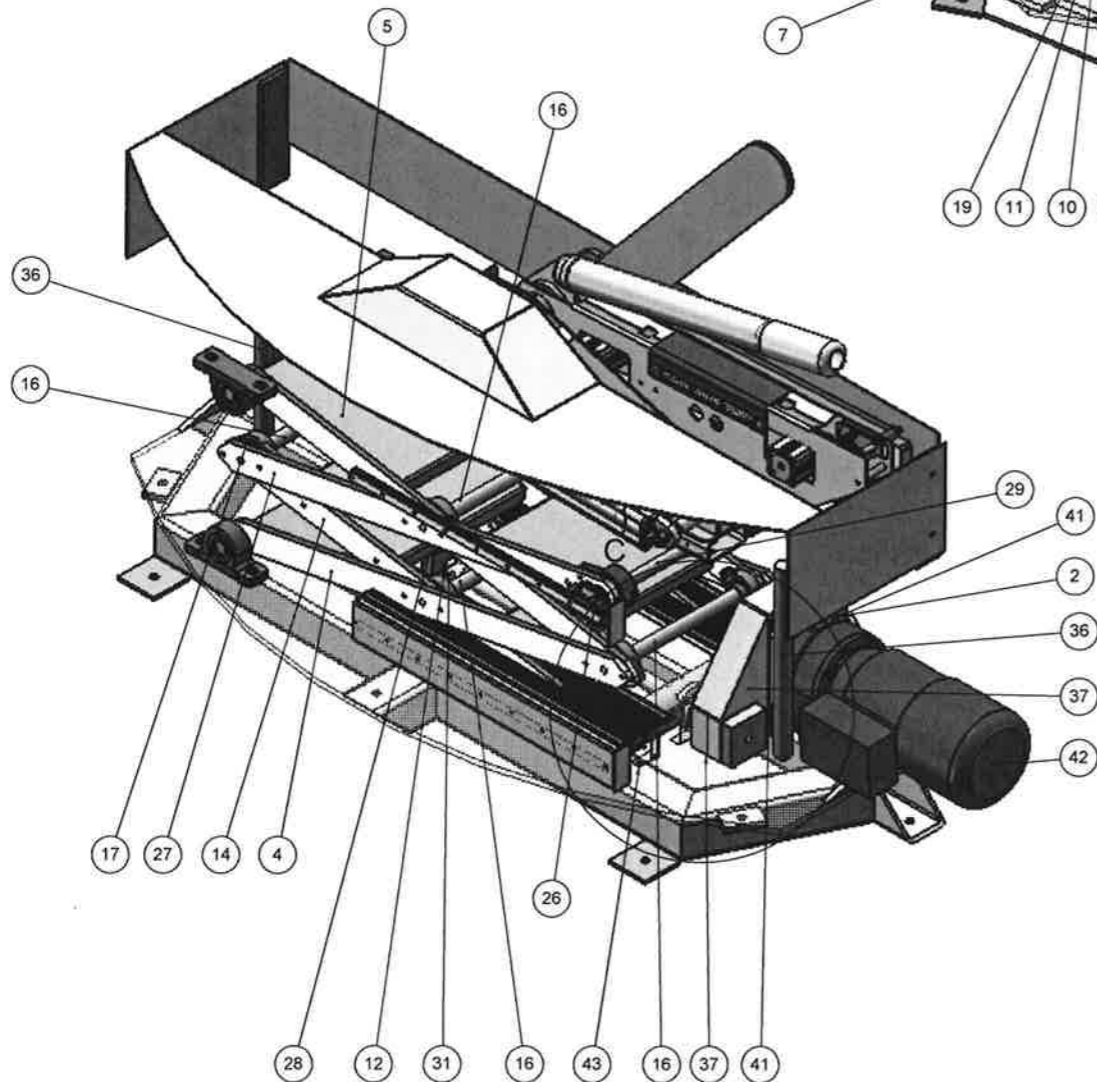
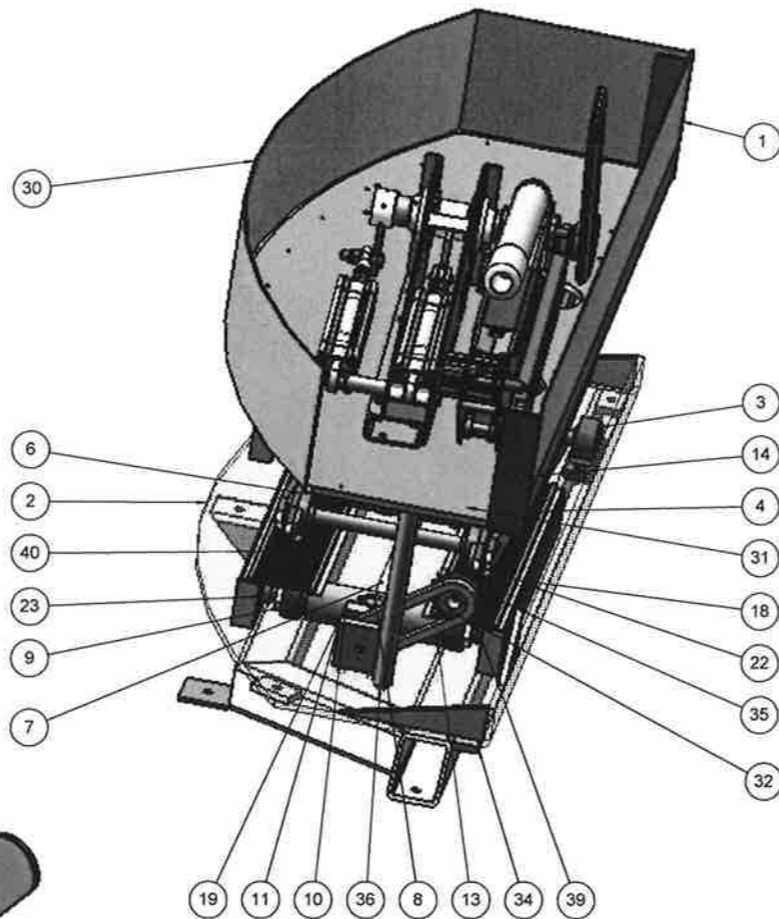
Tandremshjul m.lejer  
 komplet

Drawing No: 090-02-0042

rev.



C (2 : 5)



Pos	Part Number	R Title	Matr/Spec.	Pcs.	Kg.
1	060-01-0091	Foliesaks ISS HV Cpl.	Assembly	1	0
2	141-03-0024	Bundplade	Pl. mm	1	0
3	3600-01-0004	Ståleje	UCP 204 (Ø20)	4	0.484
4	141-03-0021	Saks Fast del 2	Pl. mm	1	0
5	141-03-0022	Saks Fast del 1	Pl. mm	1	0
6	3600-09-0001--	Flangeleje	UFL 004 (Ø20)	8	0.288
7	141-06-0025	Spindel	SR2020C7 L=575	1	0
8	3405-04-0001	Spindelmøtrik	FSER2020 (Rollco)	1	0
9	3608-01-0007	Flangeleje	UCFB 203 (Ø17)	4	0.304
10	141-06-0007	Lejehus	Fladstål 30x66-66	1	0.813
11	141-06-0008	Lejehus	Fladstål 20x60-66	2	1.232
12	*3600-15-0025	Sporkugleleje 6000-2RS		3	0.009
13	141-06-0023	Spindelhus	Ø55	1	0
14	141-04-0025	Sideplade inderste	Pl. 10mm	2	0
15	141-06-0010	A Lejeaksel	NV 24	2	0.36
16	141-06-0024	Afstandsstykke	Ø20	4	0
17	141-06-0012	Afstandsstykke PEHD	Ø45	8	0.048
18	141-06-0016	Pladekædehjul	1/2" Simplex Z=17 Udb. Ø20 N+P	1	0
19	141-05-0004	Gummi pakning	2x66x66	1	0.007
20	141-05-0005	Dæksel	Pl. 3mm 55x55	1	0.044
21	3401-01-0004	Rollco føringsglæde	SBI 15FL-1-K1	4	0.144
22	3401-01-0008	Førringsskinne	SBI 15-K1-490-5-5 (Rollco)	4	0
23	141-03-0016	Beslag	Pl. mm	2	0.176
24	3600-28-0004	Aksialleje	Ø40-Ø20 (INA 51204)	1	0
25	141-06-0019	Flangebøsning	Ø35	1	0.092
26	141-03-0025	Beslag	Pl. mm	2	0.106
27	141-04-0024	Sideplade yderst	Pl 10mm	2	5.26
28	141-04-0032	Afstivning	Pl. 2mm	1	1.076
29	141-06-0026	Aksel	Ø17	1	0.59
30	060-03-0077	Skærm samling for	Pl. mm	1	12.298
31	141-06-0027	Stop	Fladstål 20x60-66	2	0.826
32	-	Tandhjul Simplex	1/2" Z12 Udb Ø20 N+P	1	0
33	-	Tandhjul Simplex	1/2" Z12 Udb Ø10 N+P	1	0
34	141-03-0026	Stativ	Pl. mm	1	29.013
35	3350-02-0021	Rullekæde Simplex	1/2" L=432 (34 Led)	1	0.089
36	141-06-0030	Afstandsstykke	Ø25	2	2.4
37	141-05-0007	Kædeskærm	Pl. 2mm	1	1.097
38	141-06-0031	Afstiver	Ø15 L=250	1	0.342
39	4835-01-0002	Alu børsteliste STL1800 FH50 L=500	STL1800 FH50 L=500	2	0.676
40	4835-01-0002	Alu børsteliste STL1800 FH25 L=500	STL1800 FH25 L=500	2	0.424
41	141-04-0019	Motorplade	8mm	1	0.727
42	52045	SK 01Z-71L/4 Bre5	0.37kW I=18 n2=77 M4 KK1/1/ Aksel 20x40	1	6.076
43	141-04-0067	Inddækning til spindel	Pl. 2 mm	1	1.887

This drawing is our property and should not be shown, made visible to third person, not copied or used in any other way, without our consent in writing.

**REOPACK**  
Kongsdal Havn 4 - DK-9550 Mariager - Danmark  
tel/Pl. +45 98584100 - Fax +45 98584198  
mail@re-pack.com - www.re-pack.com

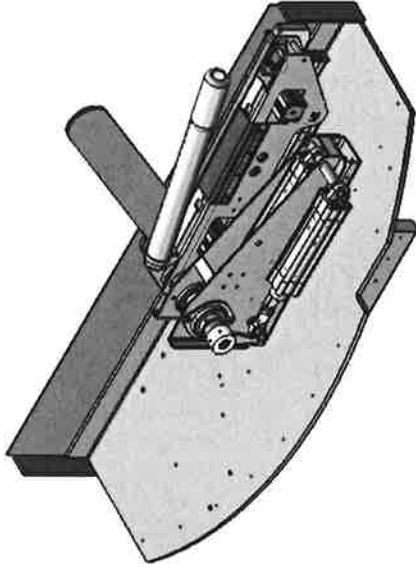
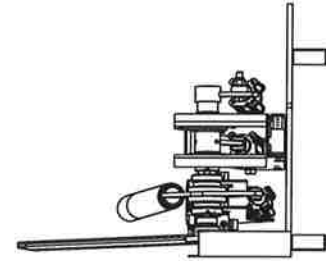
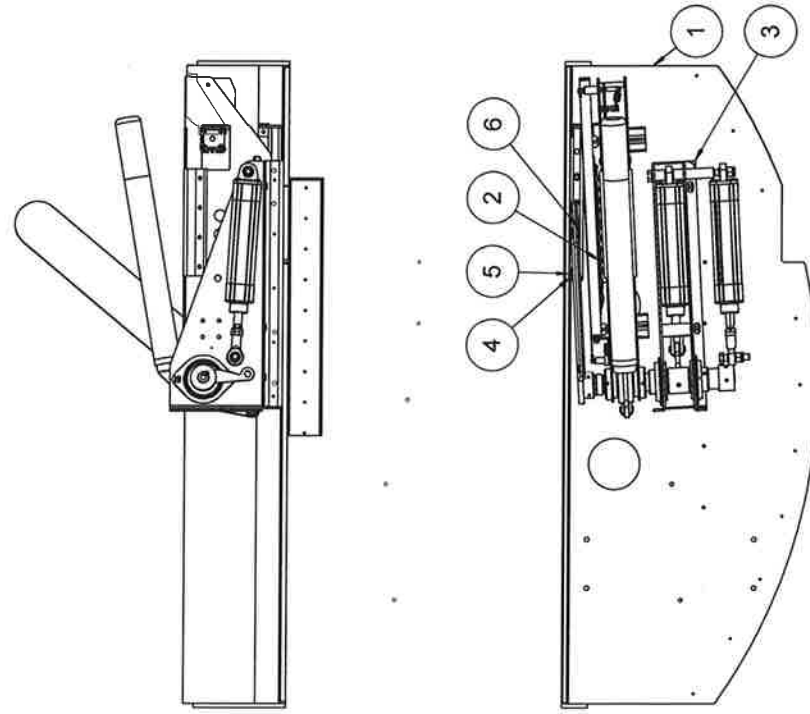
Sheet scale: 1:5  
Date: 20-04-18  
Sign: din  
Repl:

Tolerances: DS/ISO 2768

mm	Fine	Medium	Coarse
0-6	±0.05	±0.1	±0.2
6-30	±0.1	±0.2	±0.5
30-120	±0.15	±0.3	±0.8
120-400	±0.2	±0.5	±1.2
400-1000	±0.3	±0.8	±2.0

Drawing No: 141-01-0013  
Sakseløft NG  
Dobbelt saks

Rev. A1



Pos	Part Number	R	Title	Matr/Spec.	Defa ult/P cs.	Kg.
1	060-03-0076		Bundplade	Pl. mm	1	0
2	060-02-0093		Griber/Svejse system	H-V, lang svejseplade	1	0
3	060-04-0042	A	C-Profil	80x35x40x4, L=482	1	0
4	060-02-0001		Manifold for blæsedyser	ERSTATTET AF 060-03-0012	1	0
5	060-04-0055	A	Holder for manifold	Pl. 49x20x5	2	0
6	4811-01-0001		Blæsedyse	Silvent 511 (1/8" Rc)	2	0

This drawing is our property  
and is to be used only for the  
purpose for which it was  
made. It is not to be  
copied or used in any other  
way, without our consent  
in writing.

**REO-PACK**

Kongsdal Havn 4 - DK-9550 Marbjerg - Denmark  
Tel/Ph:+45 98584100 - Fax:+45 98584188  
mail@reo-pack.com - www.reo-pack.com

Sheet scale:

1:10

Surf:

Sign.

Date:

26-04-18

din

Repl.

Drawing No:

rev.

Foilesaks ISS HV Cpl.

Sakseløft

060-01-0091

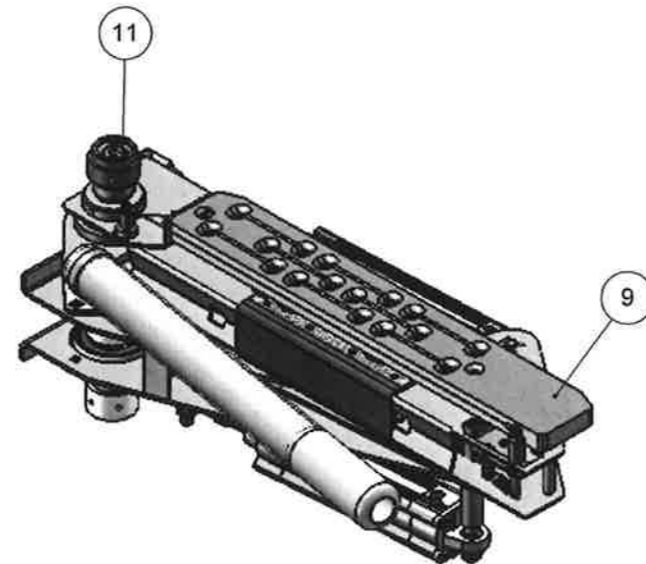
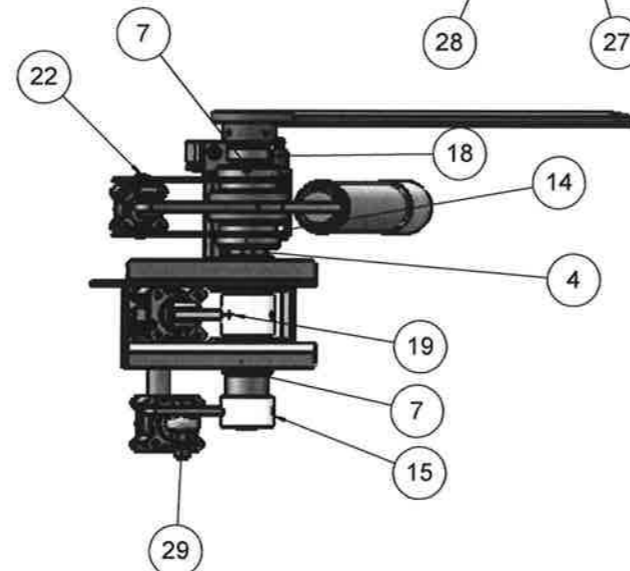
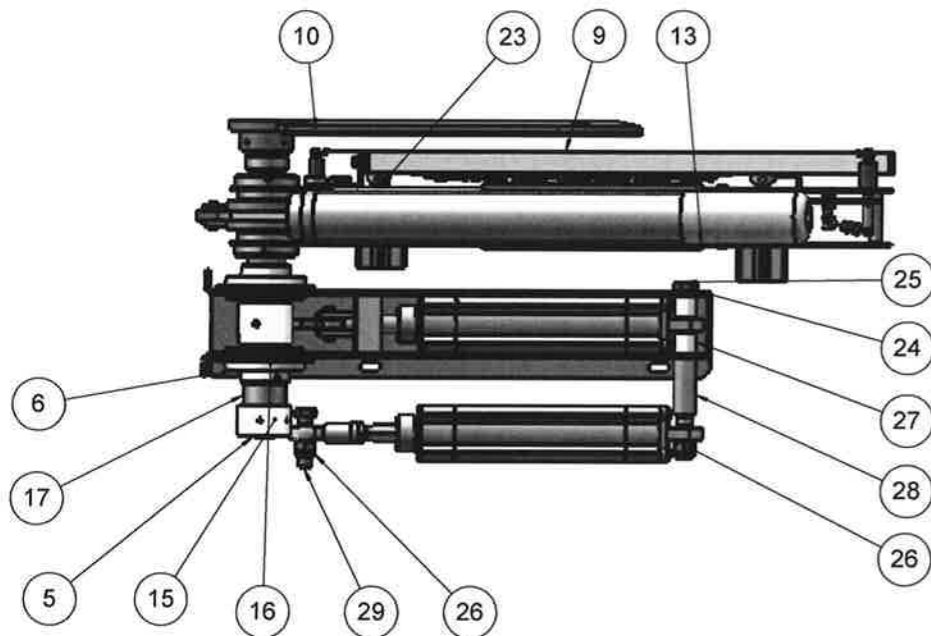
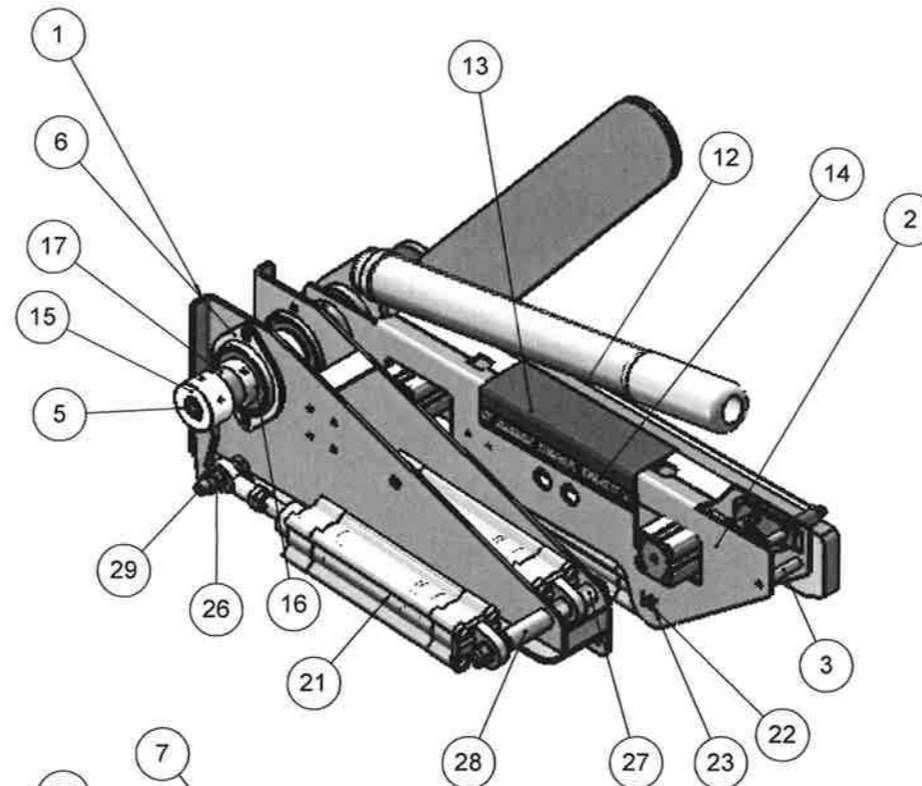
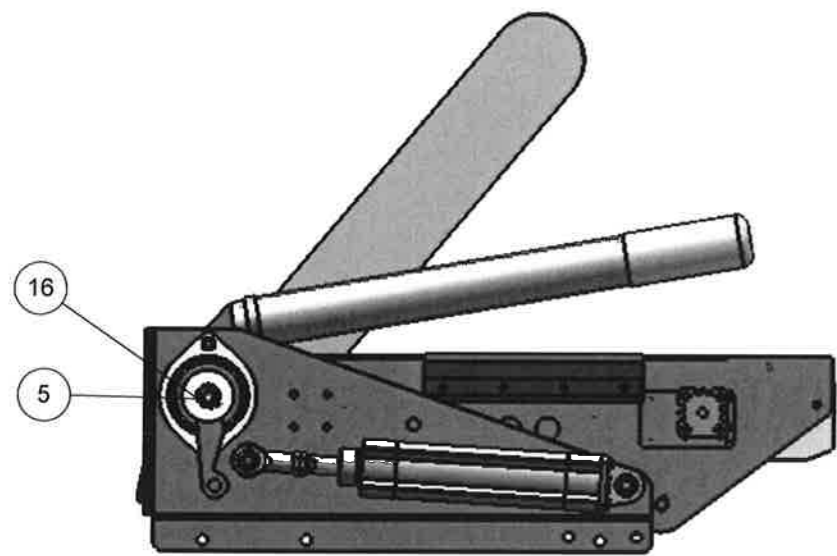
Tolerances: DS/ISO 2768

mm	Fine	Medium	Coarse
-6	±0.05	±0.1	±0.2
>6-30	±0.1	±0.2	±0.5
>30-120	±0.15	±0.3	±0.8
>120-400	±0.2	±0.5	±1.2
>400-1000	±0.3	±0.8	±2.0

S:\060-Saks\01\_Samlinger\_komplet\  
060-01-0091\_Foilesaks\_ISS\_HV\_Sakseløft

A3





Pos	Part Number	R	Title	Matr/Spec.	Pcs.	Kg.
1	060-03-0033*		Konsol for saks H-V	486x215	1	5.265
2	*060-03-0032		Holder for foliearm H-V	635x191	1	4.121
3	*060-06-0029	A	Afstandsstykke	Rundstål Ø10x48	1	0.025
4	060-06-0030	A	Aksel 1	Ø35x207	1	0.796
5	*060-06-0031		Aksel 2	Ø40x301	1	0.875
6	4818-01-0001		Flangeleje	KDF PFL-207	2	1.16
7	3600-19-0010		Glacierbøsning	Ø25/Ø22x20	2	0.004
8	*060-05-0026		Feder L=24	Kilestål 10x6x24	2	0.022
9	060-02-0092		Svejseskære system	H-V Lang sv.pl. langsgående tråde	1	0.827
10	060-02-0045		Sværd H-V	med glasvæv	1	1.415
11	4814-03-0006		Feder	Kilestål 6x6 L=25	1	0.001
12	060-02-0016*		Foliearm ISS	standard	1	1.395
13	*060-04-0053		Neopren Gummiplade	210x130x4	1	0.11
14	*060-04-0054		Holder, Gummiplade	210x16x3	2	0.152
15	*100-03-0004		Momentarm sværd sv.	Pl. mm	1	0.452
16	4814-03-0008		Feder	Kilestål 6x6 L=32	1	0.001
17	*060-06-0027		Bøsning	Rundstål Ø40/Ø22,5x20	1	0.135
18	*060-06-0026		Bøsning	Rundstål Ø40/Ø22,5x11,5	1	0.078
19	060-03-0037		Momentarm Sv.	Pl. mm	1	0.383
20	4814-05-0006		Feder	10x8 L=40	1	0.003
21	109-159-3F		Pneumatik diagram	Festo Ventil enkelt CPV10	1	1.417
22	*060-06-0035	A	Aksel for cylinder	Ø10x60,2	1	0.037
23	4803-01-0007		Seegerring	DIN 471 Ø10	2	0
24	4750-02-0002		Spændeskive	M12 DIN128A	1	0.005
25	4629-07-0001		Stålbolt DIN 931	M12, L=160	1	0.164
26	4601-04-0002		Låsemøtrik DIN985	M12	2	0.042
27	*060-06-0017		Afstandsstykke	Ø20 Præc.rør	2	0.064
28	060-06-0036		Afstandsstykke	Præc.rør Ø20/Ø12x55	1	0.087
29	4630-07-0001		Stålsætbolt fzb.	M12x50	1	0.0606

This drawing is our property and should not be shown, made available to third person, not copied or used in any other way, without our consent in writing.

**REOPACK**

Kongsdal Havn 4 - DK-9550 Mariager - Denmark  
Tel/Ph.+45 98584100 - Fax.+45 98584188  
mail@reo-pack.com - www.reo-pack.com

Sheet scale:	Surf:
1:5	Date: 07-05-09
	Sign: DM
Konfr.	
Hgr.	Sgr.
Serial No:	rev.

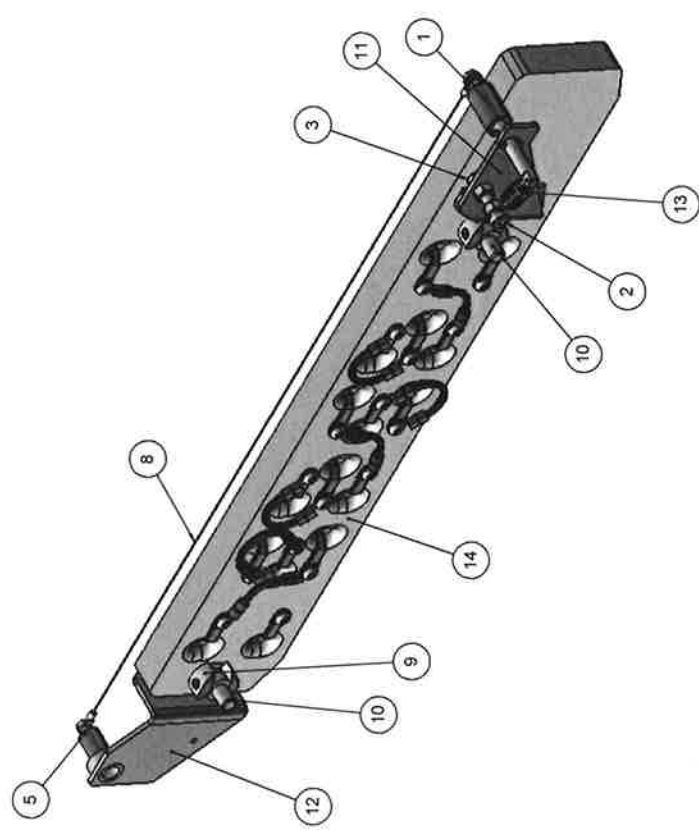
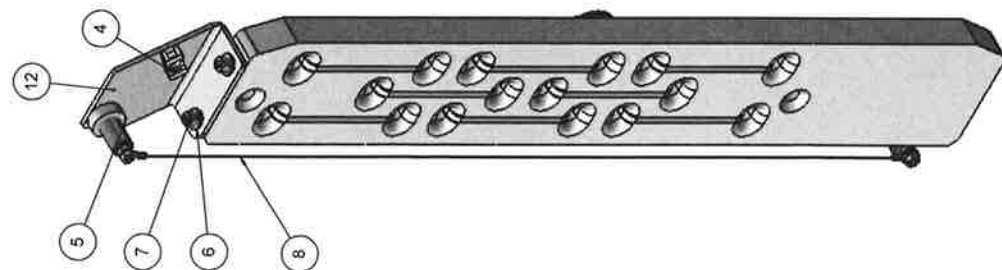
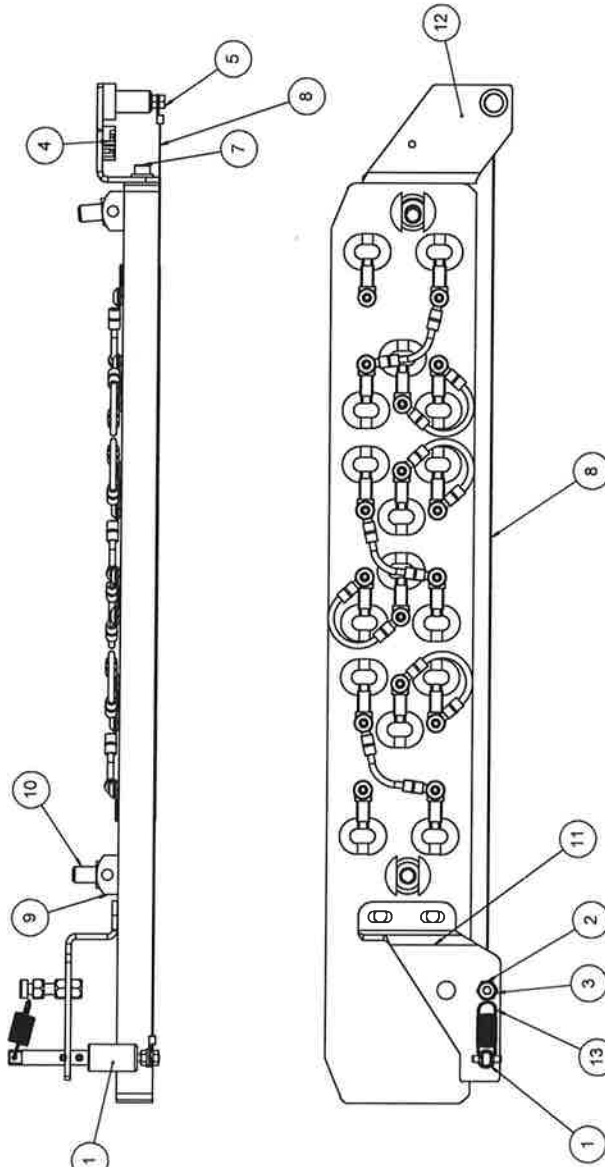
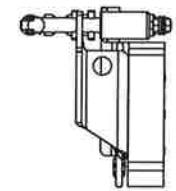
Tolerances: DS/ISO 2768

mm	Fine	Medium	Coarse
-6	±0.05	±0.1	±0.2
>6-30	±0.1	±0.2	±0.5
>30-120	±0.15	±0.3	±0.8
>120-400	±0.2	±0.5	±1.2
>400-1000	±0.3	±0.8	±2.0

Gribe/Svejsesystem  
ISS H-V. Lang svejsepl.  
Foliesaks ISS Cpl.

060-02-0093

S:\060-Saks\02-Montage-undersøgelser\  
060-02-0093-Gribe\_Svejsesystem\_ISS\_Foliesaks\_H-V\_S3000  
Lang med langsgående svejseplade A2



Pos	Part Number	R	Title	Matr/Spec.	Pcs.	Kg.
1	*060-02-0009		Isolator bevægelig	Pl, mm	1	0,028
2	4640-04-0002		Unbraco bolt DIN912	M6x30 (indv 6-kant)	1	0
3	4601-04-0004		Låsemøtrik	M6	3	0
4	5013-01-0001		Sokkel for kabelbinder	Type TM1	1	0,001
5	*060-02-0010	A	Isolator fast	Pl, mm	1	0,006
6	4750-01-0005		Plan skive	M5 RF	2	0
7	4640-03-0005		Unbraco bolt	M5X12mm	2	0
8	*060-02-0008		Glødetråd Kanthal D	0,5 mm, C-C=530mm	1	0
9	*060-06-0020		Montagebeslag for	Svovllegeret Ø25x22mm	2	0,07
10	*060-06-0021	A	Vippebeslag	12X15x26	2	0,038
11	060-04-0074	B	Vinkelbeslag nr.1 H-V	3mm plade	1	0,111
12	060-03-0049	A	Vinkelbeslag nr.1 H-V	Pl, mm	1	0,128
13	4806-03-0003		Trækfjeder	Ø1, Lø=31,4 (Sodemann 31630)	1	0
14	060-02-0089		Svejsede lang mont.	Langsgående sv.tr. H-V	1	0

The drawings are our property and are not to be reproduced, stored in a retrieval system or used in any other way without our consent.

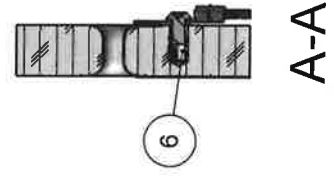
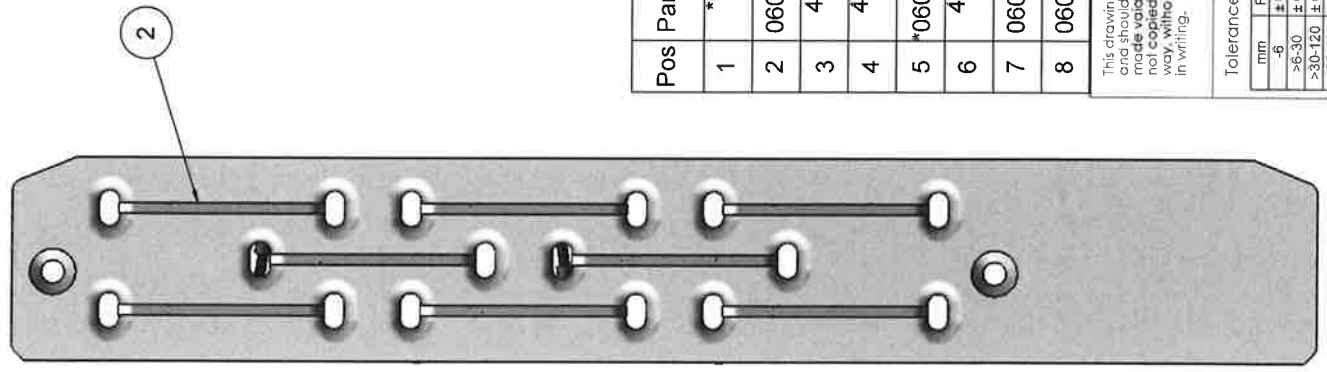
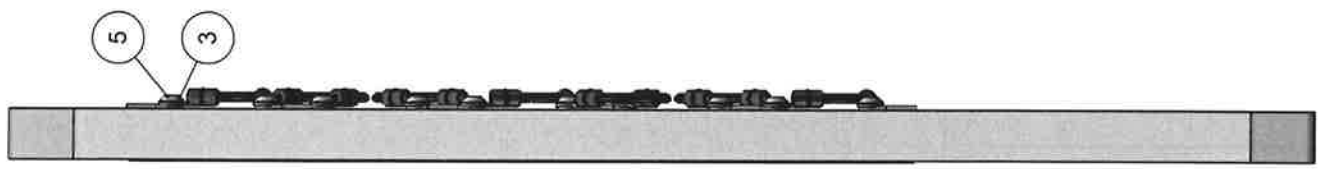
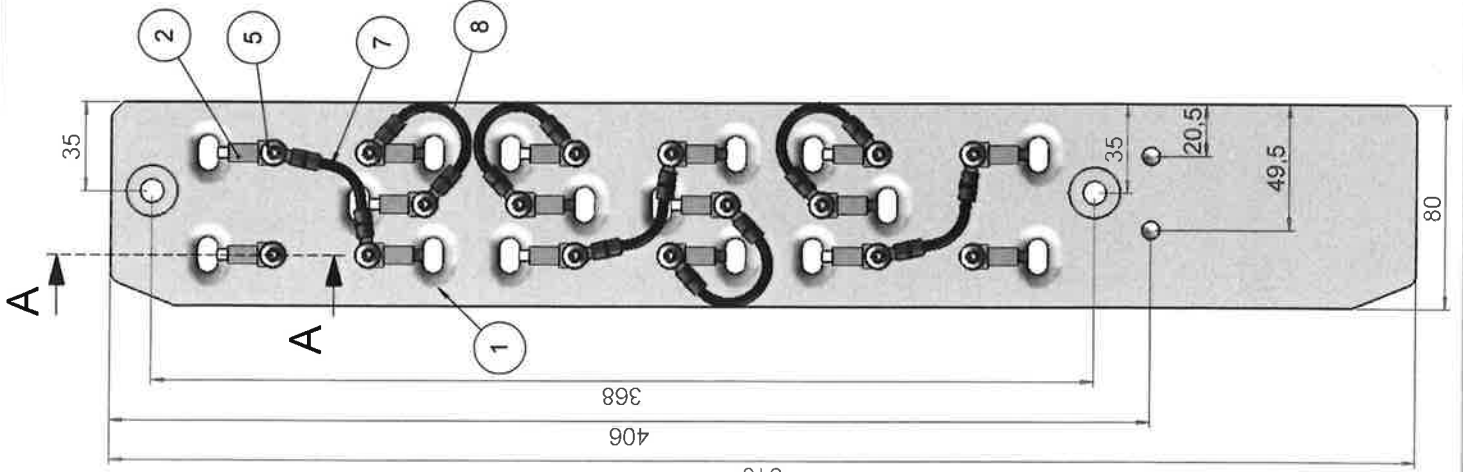
**REOPACK**  
Kongsdal Havn 4 - DK-9550 Møråger - Danmark  
Tlf./Ph. +45 98584100 - Fax. +45 98584188  
mailto:reopack.com - www.reopack.com

Sheet scale: Surf.  
1:2 Date: 07.10.14  
Repl. h  
Drawing No. 060-02-0092

Svejseskoere system  
Lang svejsede H-V  
Langsgående svejsetr.

Tolerances: DS/ISO 2768

mm	Fin	Medium	Coarse
0-10	±0,05	±0,1	±0,2
10-30	±0,1	±0,2	±0,5
30-120	±0,15	±0,3	±0,8
120-300	±0,2	±0,5	±1,2
300-1000	±0,3	±0,8	±2,0



Pos	Part Number	R	Title	Matr/Spec.	Pcs.	Kg.
1	*060-05-0064--	A	Foliesvejseplade H-V	20mm Etranit II Q plade	1	0.419
2	060-02-0011		Varmetråd 4x0.1 Cpl.	C-C=157	8	0.008
3	4750-04-0003		Facetskive DIN125A	M5	16	0
4	4901-01-0001		Teflontape 110x357	SCAN-TEF 02-07SPX	1	0
5	*060-06-0033		Unbraco M5x10	Pl. mm	16	0
6	4782-01-0001		Gevindbøsning M5	Klee coil 302.000.050.160 Hærdet/forz.	16	0
7	060-02-0062		Ledning f. foliesvejseplade	2,5kv.x40 C-C=55	3	0.003
8	060-02-0061		Ledning f. foliesvejseplade	2,5kv.x40 C-C=55	4	0.004

This drawing is our property and should not be shown, made available to third person, not copied or used in any other way, without our consent in writing.

**REOPACK**  
 Kongsdal Havn 4 - DK-9550 Marlaget - Denmark  
 Teli/Ph.+45 98584100 - Fax.+45 98584188  
 mail@reo-pack.com - www.reo-pack.com

Sheet scale: 1:2  
 Date: 05-09-2014  
 Sign. thek

Tolerances: DS/ISO 2768

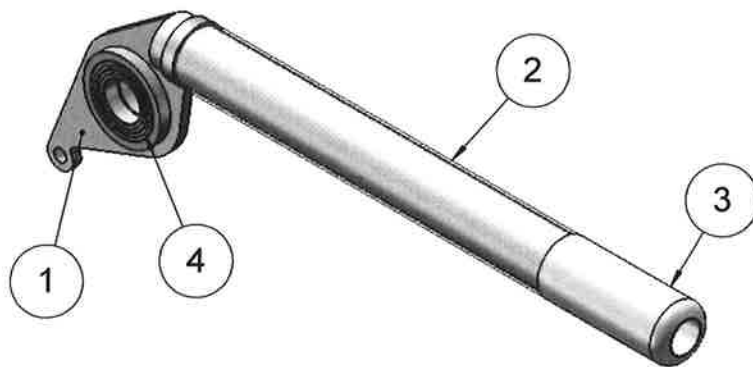
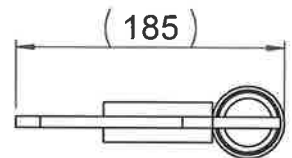
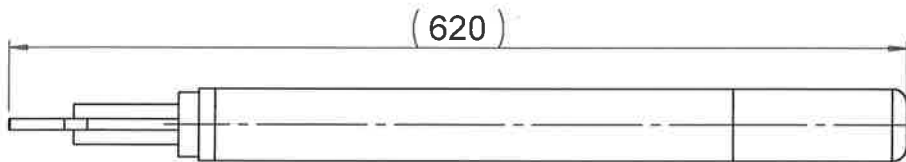
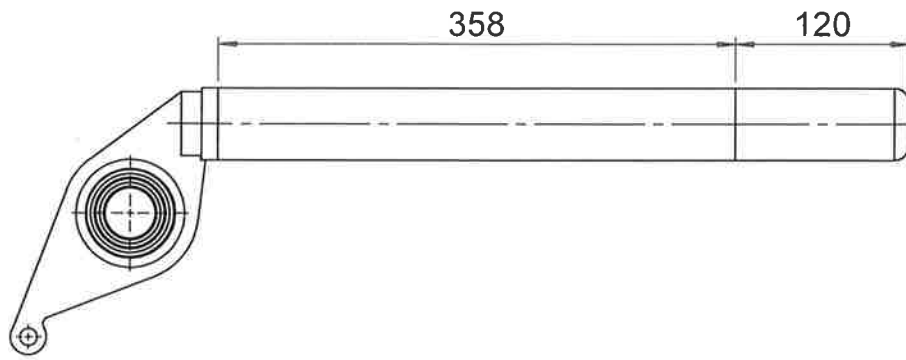
mm	Fine	Medium	Coarse
-6	±0.05	±0.1	±0.2
>6-30	±0.1	±0.2	±0.5
>30-120	±0.15	±0.3	±0.8
>120-400	±0.2	±0.5	±1.2
>400-1000	±0.3	±0.8	±2.0

Drawing No: 060-02-0089  
 Svejseplade lang mont.  
 Langsgående svejsetr.  
 S3000 H-V

Surf: rev.  
 Date: 05-09-2014  
 Sign. thek

ISO 9001:2008 Certificeret  
 060-02-0089 H-V Svejseplade monteret S3000 lang  
 med langsgående svejsetr.

A3



Pos	Part Number	R	Title	Matr/Spec.	Pcs.	Kg.
1	060-03-0035		Momentarm Sv.	Pl. mm	1	1.052
2	*060-05-0028	B	Plast Rør	Ø50x1.8, L=358	1	0.089
3	*060-06-0033		Styr for foliearm	PA.6 ø50x120	1	0.21
4	3600-15-0016		Sporkugleleje	6007 RS (Ø62/ø35)	2	0

Mat. Dim. **standard** Wgt: **1.395 kg.** dxf.fil:

This drawing is our property and should not be shown, made vaivable to third person, not copied or used in any other way, without our consent in writing.

**REO-PACK**

Kongsdal Havn 4 - DK-9550 Mariager - Denmark  
Tel/Ph.+45 98584100 - Fax.+45 98584188  
mail@reo-pack.com - www.reo-pack.com

Sheet scale: Surf:

**1:5**

Date: Sign.

Date: **05-05-09** dm

Repl. **11.160.4A**

Tolerances: DS/ISO 2768

mm	Fine	Medium	Coarse
-6	± 0,05	± 0,1	± 0,2
>6-30	± 0,1	± 0,2	± 0,5
>30-120	± 0,15	± 0,3	± 0,8
>120-400	± 0,2	± 0,5	± 1,2
>400-1000	± 0,3	± 0,8	± 2,0

Foliearm ISS

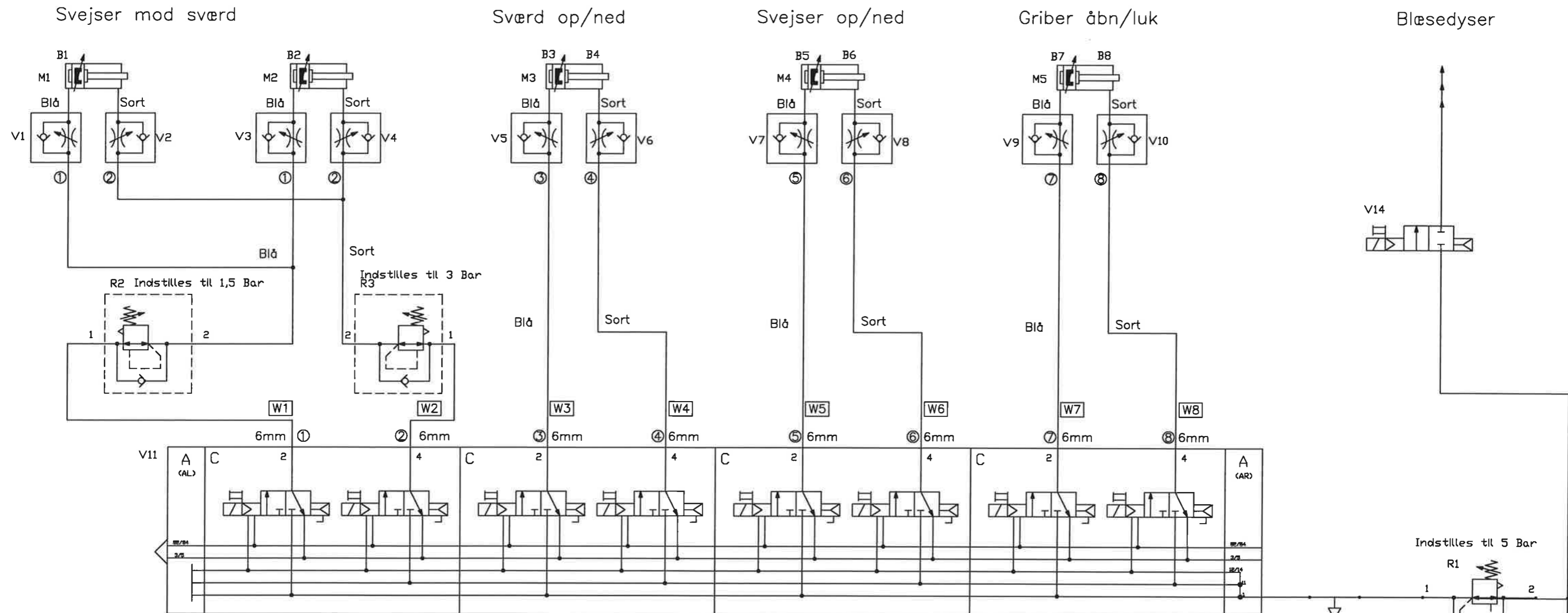
Gribe/Svejse System

Drawing No: rev.

**060-02-0016\***

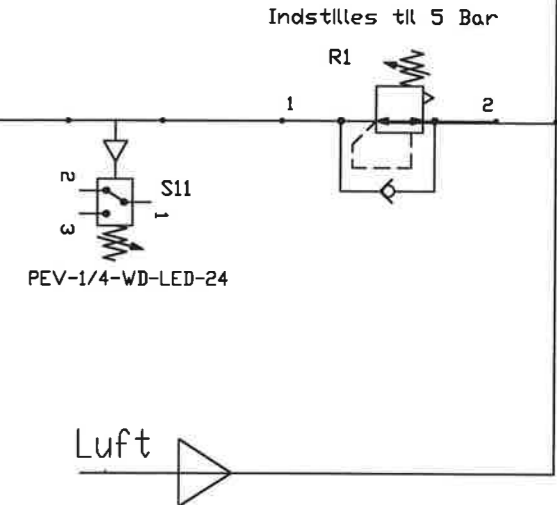
S:\060-Saks\02-Montage undersamlinger\  
060-02-0016 Foliearm Cpl.

A4



10P-10-4A-IC-R-A-4C+H

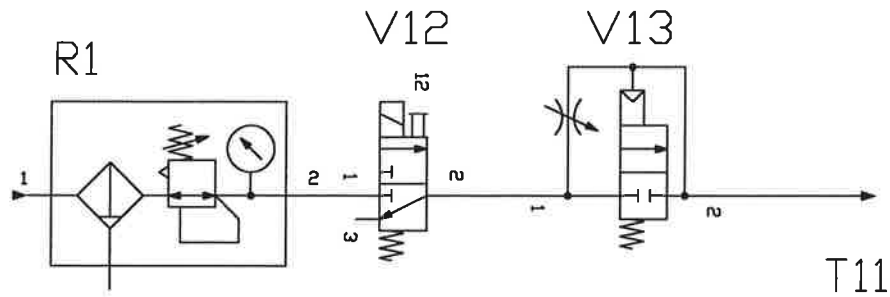
- |       |  |        |  |
|-------|--|--------|--|
| B1-B7 | SME-8M-DS-24V-K0,3-M8D (543861)  | V5-V8  | GRLA-1/4-QS-6-D (193146)   |
| M1-M2 | ADN-32-30-I-P-A (536283)   | V9-V10 | GRLA/1/8-QS-6-D (193144)   |
| M3    | DSBC-40-125-PPVA-N3 (1376661)<br>SGS-M12x1,25 (9262)<br>SNCS-40 (174398) | V11    | KMYZ-9-24-2,5-LED-PUR-B (193687) (8Stck.)<br>QSM-M7-6-I (153321) (8Stck.)<br>CPV10 -EPL-EU(188454) (1Stck.)<br>CPV10 -EPR-G(161377) (1Stck.)<br>CPV10-M1H-2x3-GLS-M7(161416) (4Stck.)<br>CPV10/14-VI-BG-NRH-35(162556) (1Stck.)<br>CPV10-ZA-4(161365) (1Stck.) |
| M4    | DSBC-40-125-PPVA-N3 (1376661)<br>SG-M12x1,25 (6145)<br>SNCS-40 (174398)  |        |  |
| M5    | DSBC-32-160-PPVA-N3 (1376428)<br>SG-M10*1,25 (6144)<br>SNCB-32 (174390)  |        |  |
| R1    | LR-1/4-DI-MINI(192300)   |        |  |
| R2-R3 | LRMA-QS-6 (153496)   |        |  |
| S11   | SDE5-D10-O3-Q6E-P-K  |        |  |
| V1-V4 | GRLA-1/8-QS-6-D (193144)   | V14    | MN1H-2-1/2-MS  |



Festo DK\_CS.1407142B

This drawing is our property and should not be shown, made available to third person, nor copied or used in any other way without our consent in writing.	<b>REO-PACK</b>	Kongsdal Havn DK 9550 Mariager Tlf 98 58 41 00 Fax 98 58 41 88		Målestok		Sign
		1:1	Tegnr	10.09.13	HN	
	Pneumatikdiagram for CPV 10 ventiler FESTO S3000ISS Gulv	Hgr	Ugr	Del nr	Res	
		109	159	3F	A...	
Ændringer						

Compressed air inlet



Compressed air to the machine

	151521	Double nipple, adjustable ESK-1/4-1/4
	159638	Mounting bracket HFOE-D-MINI - 2Pcs.
R1:	159635	Filterregulator LFR-1/4-D-MINI-A
T11	153007	Straight shape fitting QS-1/4-10
	151688	KMEB-1-24-2,5-LED
V12:	172956	Main-valve HEE-D-MINI-24
	151688	Connecting cables plug socket angled KMEB-1-24-2,5-LED
	170690	Softstart valve HEL-D-MINI

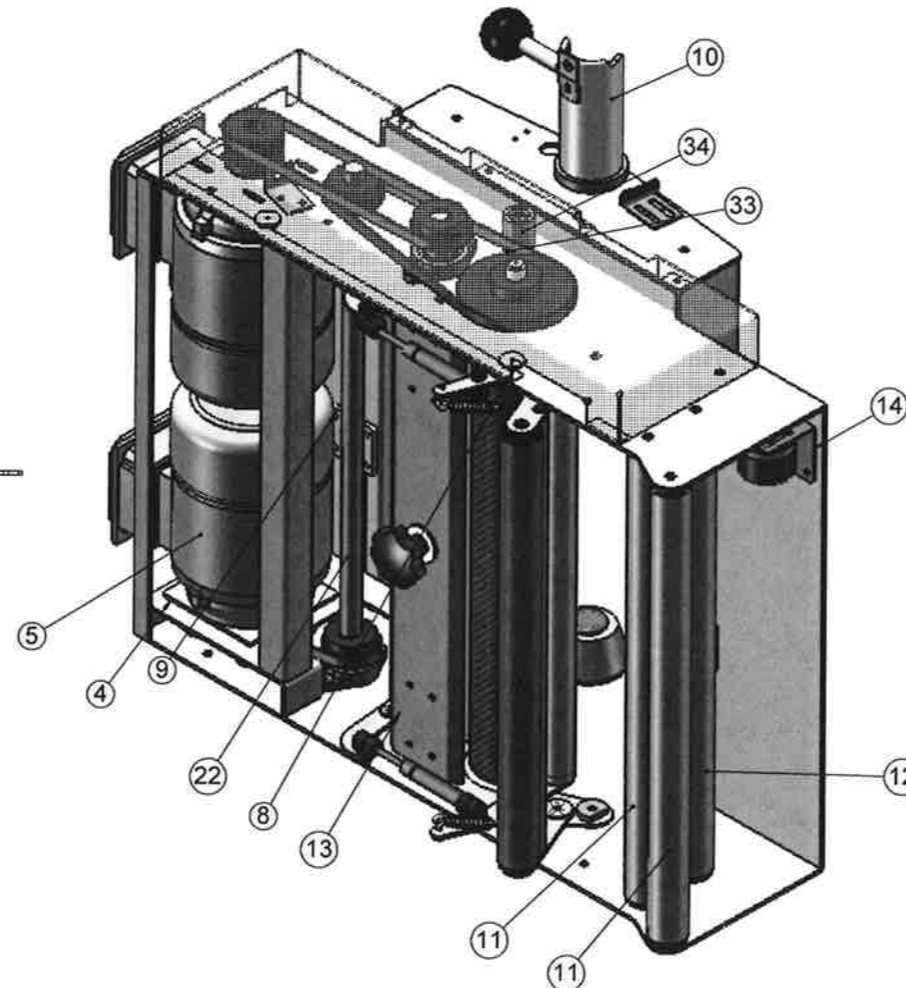
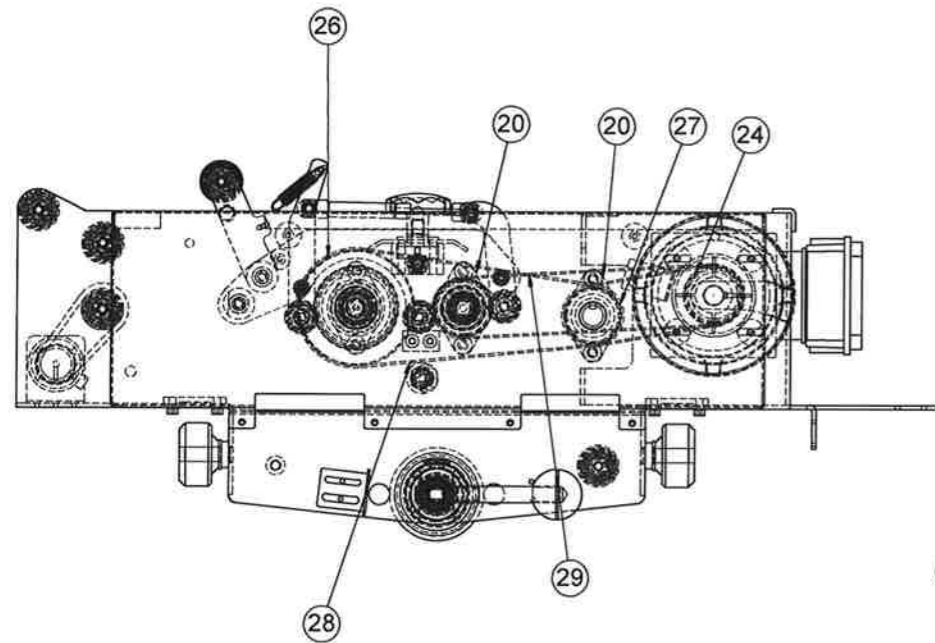
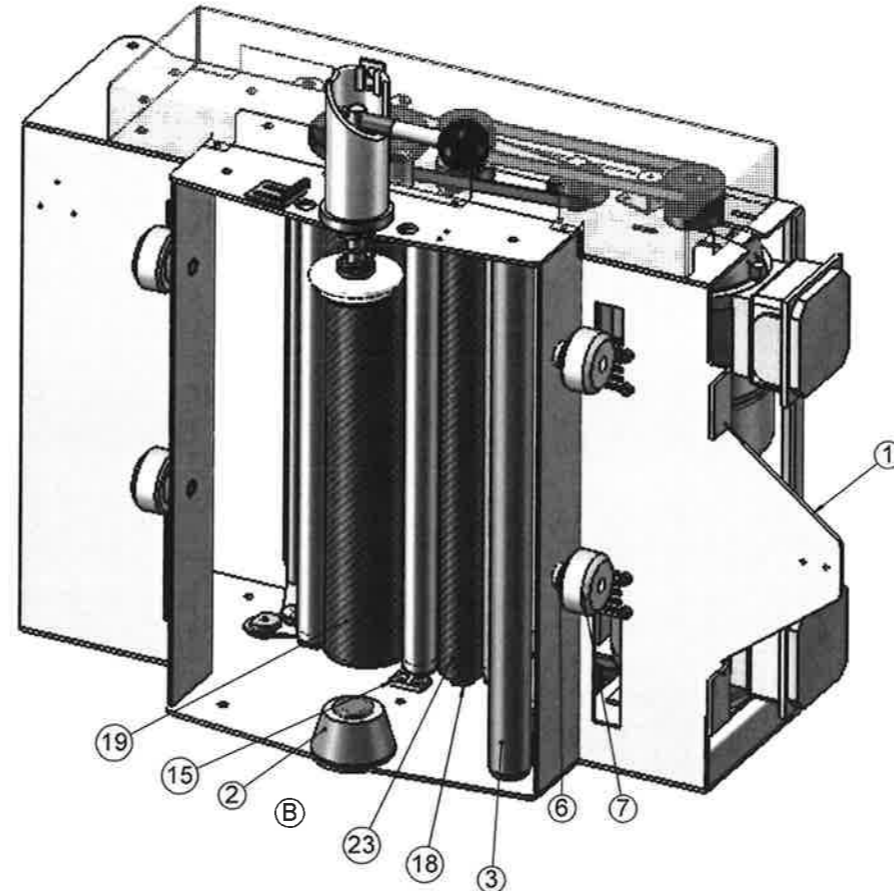
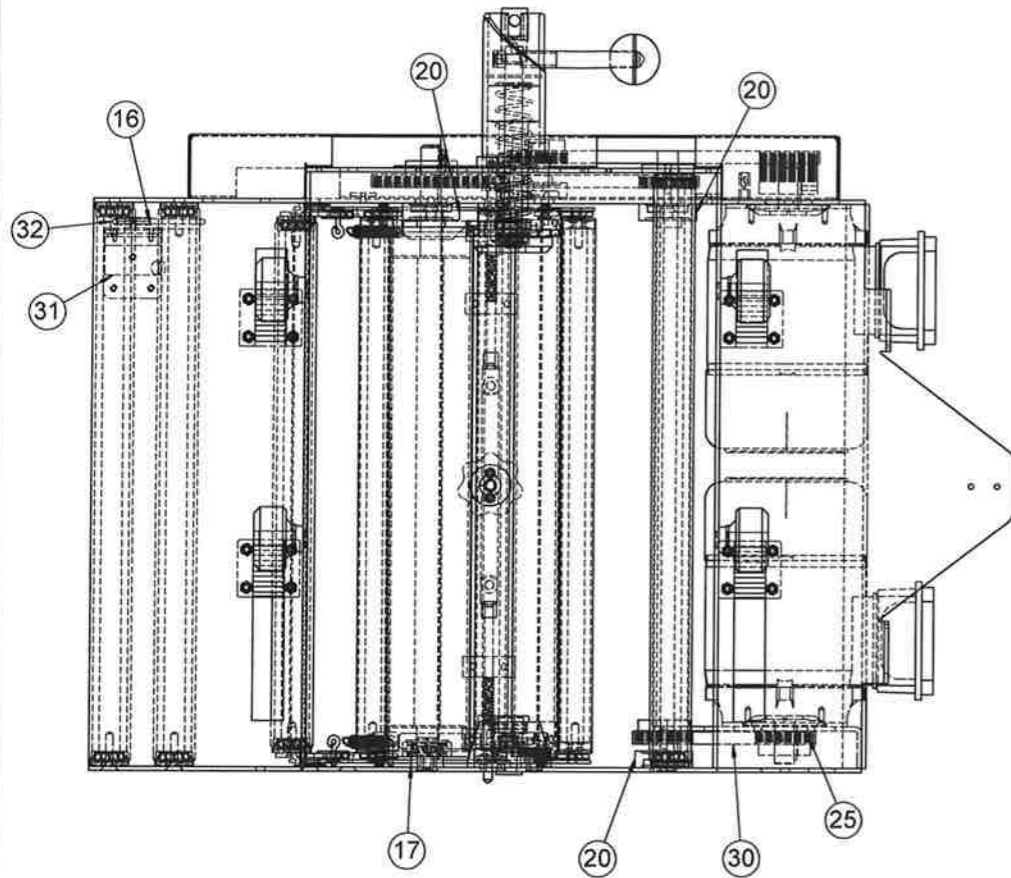
This drawing is our property and should not be shown, made available to third person, nor copied or used in any other way without our consent in writing.

**REO-PACK**

Kongsdal Havn  
DK 9550 Marlagør  
Tlf 98 58 41 00  
Fax 98 58 41 88

Målestok	Dato	Sign
1:1	Tegn	03.05.11 HN
	Kontr	
	Appr	

...	..	...	Pneumatic diagram		Hgr	Ugr	Del nr	Ver
27.06.18	HN	Opdatering af komponent nr.	Compressed air		109	091	4	
11.07.16	HN	V12:165071->162956	processing					
02.01.13	HN	S1 PEV-1/4-B PEV-1/4-WD-LED-24 -> SDE5						



Pos	Part Number	R	Title	Matr/Spec.	Pcs.	Kg.
1	*090-03-0012	C	Folieslæde H-V Sv.	Pl. mm	1	0
2	090-02-0053		Bundkonus komplet	Pl. mm	1	0
3	090-02-0004	B	Alu valse Cpl.	ø40x574	1	0
4	*090-04-0030	A	Motorplade SK80/L4	Plade 4 mm	2	0.578
5	R61		Motor SK 80LH/4	n=1415, 0.75 KW KK1/I	2	9.628
6	090-05-0013		Skive	Ø15 DIN 125	4	0
7	*090-05-0012	B	Plast hjul	Ø61.2, L=38	4	0.416
8	*090-05-0010		Låsemøtrik	Rundstål Ø25x5.5	2	0.026
9	*090-05-0014		Klemme plade	Pl. 6 mm	4	0.52
10	090-02-0007	A	Folielås S3000 Cpl.	Pl. mm	1	0
11	090-02-0010		Alu valse	ø40x544	2	0
12	090-02-0011	A	Alu valse for Tarco	ø40x544 Rulteres 25 mm i top	1	0
13	090-02-0015	B	Indskubber folieslæde	Pl. mm	1	0
14	*090-04-0043	B	Top inddækning H-V	Pl. 2 mm	1	3.165
15	*090-04-0045	B	Beslag Tarcogenerator	Pl. 2 mm	1	0.093
16	*090-05-0016	A	Stop af indskubber	Blankt fl.st.20x6-35	2	0.056
17	*090-06-0030		Remskive f. Tarco	Ø35x7	1	0.016
18	*090-06-0029	A	Aksel Ø82 (bund)	NV 27 stål	1	0.075
19	*090-06-0028		Aksel Ø42 (bund)	NV 22 stål	1	0.044
20	*090-03-0025		Forstræksvalse Ø80/Ø82	Pl. mm	1	0
21	3600-09-0002--		Flangeleje (US for M8)	UFL 004 (Ø20)	4	0.14
22	*090-04-0109		Beslag for foliemængde	Pl. 2 mm	1	0.029
23	*090-06-0036	B	Aksel Ø20	Ø20	1	1.471
24	*090-03-0027	B	Forstræksvalse Ø42 SV.	Ø42, L=596	1	0
25	3006-01-0001--		Poly-V remskive	PV 12PJ 56 (Udb. Ø19 N+P)	1	0.676
26	3006-01-0002		Poly-V remskive	PV 4PJ 56 (Lev med TB nr. 1108-Ø19))	1	0.34
27	3006-01-0003--		Poly-V remskive	PV 4PJ 112 (Lev med TB nr. 1610-Ø20)	1	1.086
28	3006-01-0004--		Poly-V remskive	PV 4PJ 56 (Lev med TB nr. 1108-Ø20))	3	1.005
29	3007-01-0001--		Poly-V rem	Type PJ 4 - L=723	1	0.017
30	3007-01-0002--		Poly-V rem	Type PJ 4 - L=660	1	0.016
31	3007-01-0003--		Poly-V rem	Type PJ 4 - L=406	1	0.01
32	5004-01-0001--		Tarco generator	KTD 2 - 0.7 B14	1	0.101
33	3008-01-0001		Gummibånd (O-ring)	Ø5 (Indv. dia = 75)	1	0.005
34	*090-06-0053	A	Remstramme møtrik	NV24x15	1	0.038
35	4817-01-0001		Rosta R11	Ø8	1	0.016
36	*090-04-0237		Beslag for GTE6 sensor	Pl. 2 mm	1	0.029

This drawing is our property and should not be shown, made available to third person, not copied or used in any other way, without our consent in writing.

**REOPACK**

Kongsdal Havn 4 - DK-9550 Mariager - Danmark  
Tel/Ph.+45 98584100 - Fax.+45 98584188  
mail@reo-pack.com - www.reo-pack.com

Sheet scale: 1:5  
Surf: Date: 07-02-08 Sign. jap  
Repl. 03-936-2

Tolerances: DS/ISO 2768

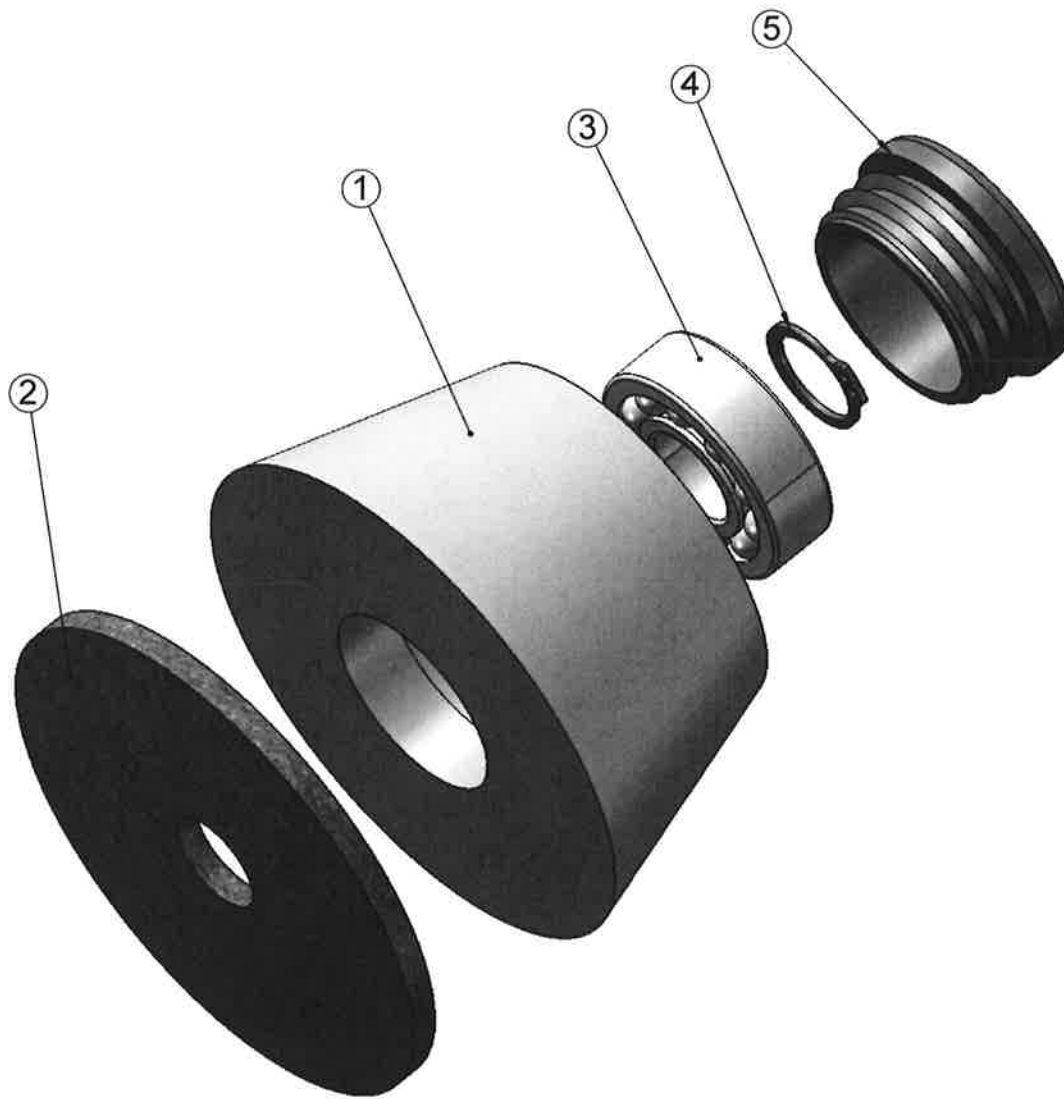
mm	Fine	Medium	Coarse
-6	±0.05	±0.1	±0.2
>6-30	±0.1	±0.2	±0.5
>30-120	±0.15	±0.3	±0.8
>120-400	±0.2	±0.5	±1.2
>400-1000	±0.3	±0.8	±2.0

Folieslæde S3000 H+V 0,75kW  
(Paller > 1000x1200)  
Dobb.Motoriseret forstræk

Drawing No: 090-02-0040 rev. B  
1:\090-13000 Swing\02-Montage undersamlinger\  
090-02-0040 Folieslæde H+V 0,75kW C.ct. A2

Revisions

Rev.No.	Description	Date	Sign.
A	Indskubber: afstandsstang ændret til gasrykkløder	29-09-2008	HN
B	Ny bundkonus POS 2 (Aksel påsvøjt)	24-11-2008	JAP



Pos	Part Number	R	Title	Matr/Spec.	Pcs.
1	090-05-0011	A	Bundkonus	Ø81/Ø58. L=40	1
2	*090-04-0029	A	Friktionsskive	Ø80x4 mm	1
3	3600-21-0001		Sfærisk kugleleje	1202 (Ø35/Ø15)	1
4	4803-01-0003		Seeger ring	Ø15 DIN 471	1
5	4802-01-0001		Plastprop Ø35, L=16.5	DPD 38-sort (Gottfred P)	1

This drawing is our property and should not be shown, made vaiable to third person, not copied or used in any other way, without our consent in writing.

**REO-PACK**

Kongsdal Havn 4 - DK-9550 Mariager - Denmark  
Tel/Ph.+45 98584100 - Fax.+45 98584188  
mail@reo-pack.com - www.reo-pack.com

Sheet scale:	Surf:	Nej	
1:1	Date:	Sign.	
	Date:	24-11-08	jap
	Repl.		

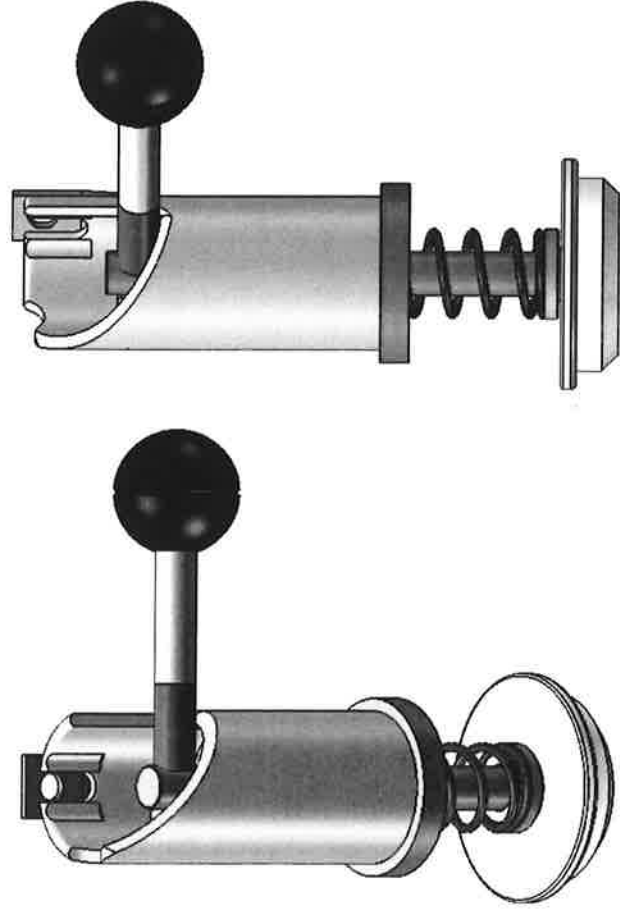
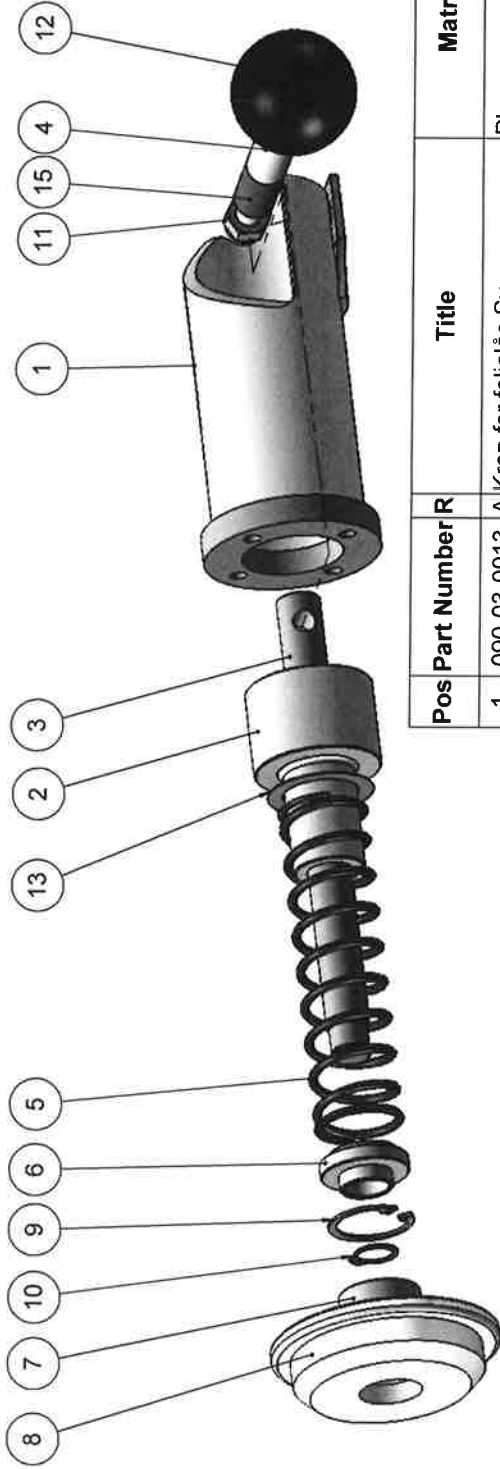
Tolerances: DS/ISO 2768

mm	Fin	Middel	Grov
-6	± 0,05	± 0,1	± 0,2
>6-30	± 0,1	± 0,2	± 0,5
>30-120	± 0,15	± 0,3	± 0,8
>120-400	± 0,2	± 0,5	± 1,2
>400-1000	± 0,3	± 0,8	± 2,0

Bundkonus komplet  
Folieslæde S3000

Drawing No:	rev.
090-02-0053	
S:\090-S3000 Swing\02-Montage undersamlinger\090-02-0053 Konisk holder Cpl.	
A4	





Pos	Part Number R	Title	Matr/Spec.	Pcs.	Kg.
1	090-03-0013	A Krop for folielås Sv.	Pl. mm	1	0.303
2	*090-06-0009	Bøsning for folielås	Ø50, L=77.6	1	0.07
3	*090-06-0008	A Aksel for folielås	Ø17, L=195	1	0.335
4	*090-06-0007	C Håndtag for folielås	Rundstål Ø16, L=140	1	0.169
5	4806-01-0002	Tryk fjeder	d=3,2 - Lo=123 - mid=32 (Sodemann 13450)	1	0
6	090-06-0012	Styr for fjeder	Rundstål Ø35x15	1	0.048
7	*3600-15-0003	Sporkugle leje	6002-2RS (Ø15/Ø32)	1	0.004
8	*090-06-0006	Topkonus	Ø90, L=25	1	0.108
9	4803-02-0002	Seegering	Ø32-DIN 472	1	0
10	4803-01-0003	Seeger ring	Ø15 DIN 471	1	0.001
11	4601-04-0001	Låsemøtrik	M10	1	0
12	4801-01-0001	Bakelitkugle	Ø49-M16 (Sort)	1	0.057
13	090-05-0027	Simmer ring	Ø30/Ø42 x 0.5 (ISO 988)	1	0.003
14	900-10-0109	Beslag for induktiv	Plade 3mm	1	0.027
15	090-04-0116	A Bøsning for folielås	Hydraulikrør Ø16x2	1	0.024

This drawing is our property and the design is not to be made available to third person, not copied or used in any other way, without our consent in writing.

**REOPACK**

Kongsdal Havn 4 - DK-9550 Marlaget - Denmark  
Tel/Ph.+45 98584100 - Fax.+45 98584188  
mail@reo-pack.com - www.reo-pack.com

Sheet scale:

1:2

Surf:

Sign:

27-11-08

hn

Drawing No:

03.933.3

rev.

Folielås S3000 Cpl.

090-02-0007

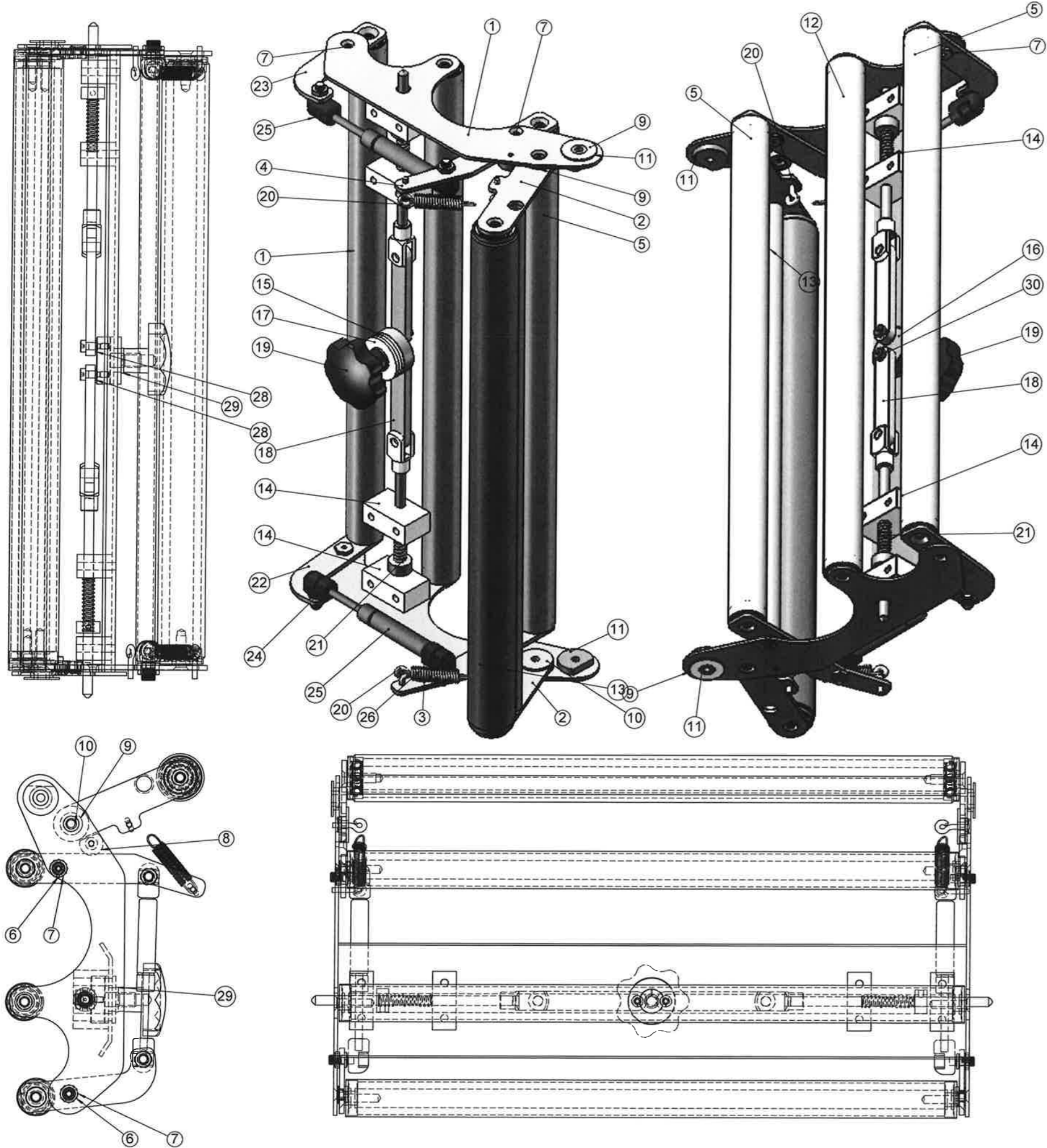
A

Rev.No.	Description	Date	Sign.
A	Beslag for induktiv fjernet.	01-09-11	DM

Tolerances: DS/ISO 2768			
mm	Fine	Medium	Coarse
-6	±0.05	±0.1	±0.2
>6-30	±0.1	±0.2	±0.5
>30-120	±0.15	±0.3	±0.8
>120-400	±0.2	±0.5	±1.2
>400-1000q	±0.3	±0.8	±2.0

S:090.S3000 Swing,02:Montage underdimensioner/  
09020007,folielås S3000 Cpl.

A3



Revisions			
Rev.No.	Description	Date	Sign.
A	Afstandsstykke 090-04-0035 erstattet af gastryksfjeder C3C3-46-050-177-001-050N	29-09-2008	HN
B	Gastryksfjeder og arm for indskubber 090-04-0040 erstattes af Pos 29,30 og 31	18-11-2008	HJN

Pos	Part Number	R	Title	Matr/Spec.	Pcs.	Kg.
1	*090-03-0023	B	Indskubber Sv.	Pl. mm	1	0
2	*090-03-0024	A	Tendervalse holder Sv.	Pl. mm	1	0
3	090-04-0042	B	Arm venstre indskubber (MS)	Plade 4 mm	1	0.111
4	*090-04-0041	B	Arm indskubber højre	Plade 4 mm	1	0.11
5	*090-02-0013	B	Alu valse	Alu. ø32x518	2	0
6	3600-20-0004		Glacierbøsning	PAF 08055 P10 (Ø10xØ8, L=5.5)	4	0
7	090-06-0020	B	Pasbolt med M5	Svovllegeret Sekskant NV14	4	0.02
8	*090-05-0020	A	Bagstop for tendervalse	Rundstål Ø20	2	0.024
9	*090-06-0019	A	Glidebøsning	Ø30x6	4	0.008
10	*090-06-0021		Styr til indskubber	Ø30x6	2	0.03
11	*090-05-0023		Styr til indskubber	Rundstål Ø30x12.5	2	0.066
12	090-02-0012	B	Alu valse	ø32x530	1	0
13	*090-02-0014	A	Alu.Tendervalse Ø40	ø40x518	1	0
14	*090-05-0021		Styreklovs	20x30x50	4	0.096
15	*090-06-0018	A	Skive Ø40x9	Ø40x9	1	0.006
16	*090-06-0016		Drejeslag	Rundstål Ø40, L=36	1	0.139
17	090-06-0017		Skive Ø40x3	Ø40x3	1	0.003
18	090-02-0068	A	Arm for lukkebeslag	Pl. mm	2	0.366
19	4801-01-0002		Stjernegreb Ganter ø63 M12 K	Ø63-M12 (20531474)	1	0.048
20	090-05-0024		Øjeskrue ART595	M4x15x6	4	0.004
21	4806-01-0003		Trykfjeder	d=1.25 - Lo=44.5 - Mid=10 (Sodemann 12220)	2	0
22	*090-04-0078	A	Arm venstre f.indskubber	4mm	1	0.09
23	*090-04-0074	A	Arm højre f.indskubber	4mm	1	0.09
24	4601-06-0001		M8 Kontramøtrik	DIN439-H=4mm	4	0
25	5600-01-0001		Gastrykfjeder (044846DI)	ø6/ø15 SL=40 50N	2	0.058
26	4806-03-0001		Trækfjeder 31770	Sodemann d=1,1 De=12 Lo=60,8	2	0
27	4604-05-0001		Undersænket skrue med indv.6-kt	M5x16mm	1	0
28	4750-02-0001		Spændeskive DIN128A	M5	2	0
29	4750-02-0002		Spændeskive	M12 DIN128A	1	0.005
30	4631-03-0001--		Pasbolt ISO7379	M5-6x10	2	0

This drawing is our property and should not be shown, made available to third person, not copied or used in any other way, without our consent in writing.

**REOPACK**  
 Kongsdal Havn 4 - DK-9550 Mariager - Danmark  
 Tel/Ph.+45 98584100 - Fax.+45 98584188  
 mail@reo-pack.com - www.reo-pack.com

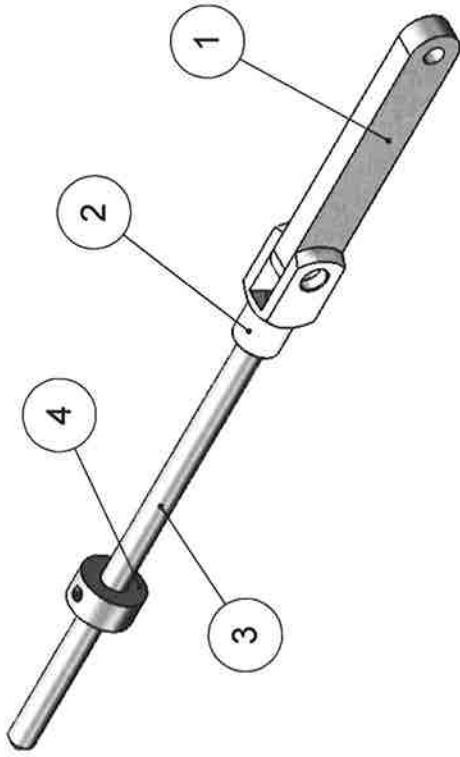
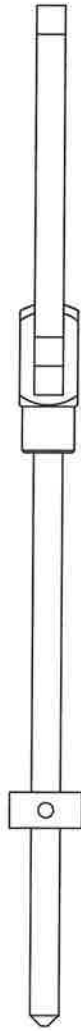
Sheet scale: 1:2.5  
 Date: 07-02-08  
 Repl. 03-871-3

Tolerances: DS/ISO 2768

mm	Fine	Medium	Coarse
-6	±0.05	±0.1	±0.2
>6-30	±0.1	±0.2	±0.5
>30-120	±0.15	±0.3	±0.8
>120-400	±0.2	±0.5	±1.2
>400-1000	±0.3	±0.8	±2.0

Indskubber folieslæde  
 Folieslæde Cpl.

Drawing No: 090-02-0015  
 rev. B



Pos	Part Number	R	Title	Matr/Spec.	Pcs.	Kg.
1	*090-05-0019		Arm 16x8, L=100	Fladstål 16x8, L=100	1	0.092
2	5600-50-0001		Gaffelbeslag M8 m. bolt	Nr. 637208 - Bolt Nr.637408 Gebr. Titgemeyer	1	0
3	*090-05-0017		Styr Ø8, L=170	Rundstål Ø8,	1	0.066
4	*090-05-0018		Spændbøsning Ø20	Rundstål Ø20, L=10	1	0.02

This drawing is our property and should not be shown, made voidable to third person, not copied or used in any other way, without our consent in writing.

Tolerances: DS/ISO 2768

mm	Fine	Medium	Coarse
-6	± 0.05	± 0.1	± 0.2
>6-30	± 0.1	± 0.2	± 0.5
>30-120	± 0.15	± 0.3	± 0.8
>120-400	± 0.2	± 0.5	± 1.2
>400-1000	± 0.3	± 0.8	± 2.0

**REOPACK**

Kongsdal Havn 4 - DK-9550 Mariager - Denmark  
Tel/Ph. +45 98584100 - Fax. +45 98584188  
mail@reo-pack.com - www.reo-pack.com

Sheet scale:

1:2

Surf:

Date:

29-06-09

Sign.

hjn

Repl.

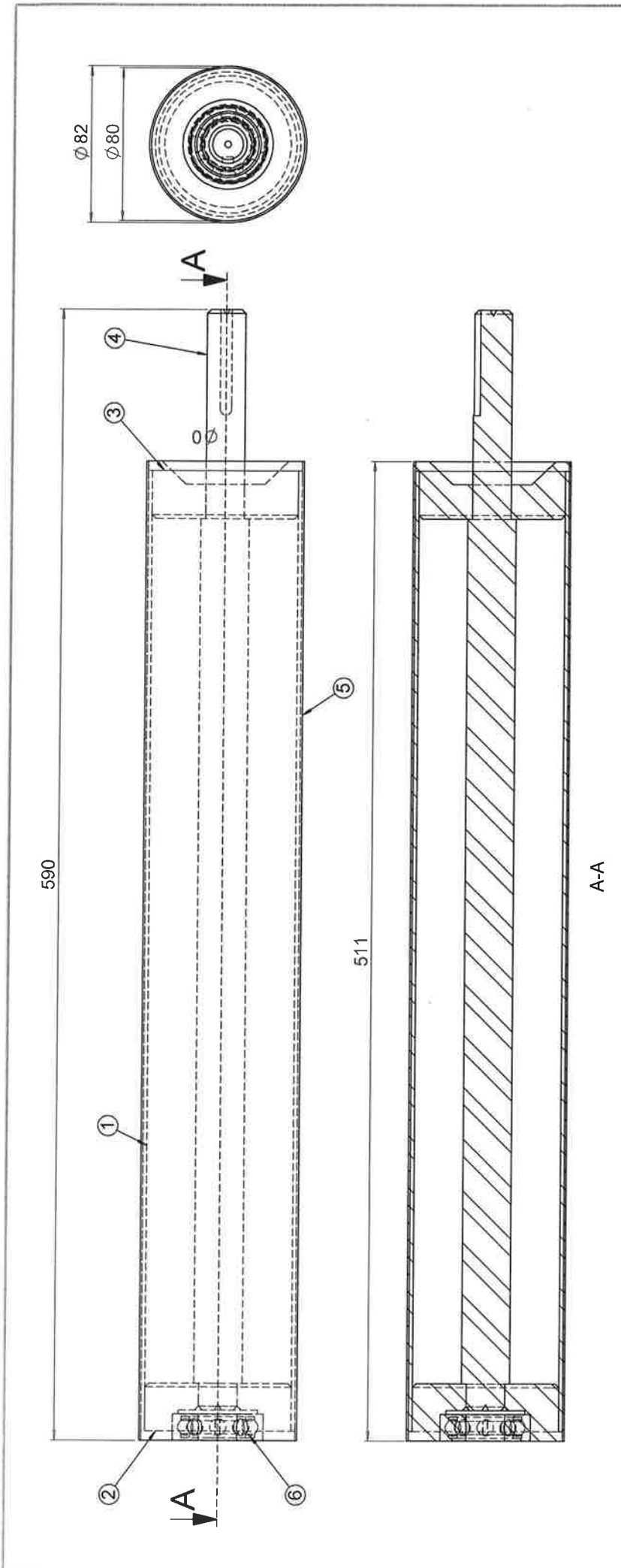
Drawing No:

rev.

Arm for lukkebeslag  
samling for folieslæde  
S 3000

090-02-0068

A



Pos	Part Number	R Title	Matr/Spec.	Pcs.	Kg.
1	090-06-0034	Rør forstræksvalse	Ø80x2, L=501	1	1.93
2	*090-06-0032	Bund forstræksvalse	Svovllegeret Rundstål Ø80x30	1	0.838
3	*090-06-0031	Top forstræksvalse	Svovllegeret Rundstål Ø80x30	1	0.825
4	*090-06-0033	Aksel forstræksvalse	Rundstål Ø25, L=574	1	2.033
5	090-06-0035	Valse belægning Ø82	3-M Safety walk R-M grå 50mm. L=2,8mtr.	1	0.13
6	3600-15-0004-	Sporkugleleje	6204-C3 (Ø47/Ø20)	1	0

This drawing is our property and is not to be copied, made available to any other way, without our consent in writing.

**REOPACK**  
Kongsdal Havn 4 - DK-9550 Mariager - Denmark  
Tel/Ph. +45 98584100 - Fax. +45 98584188  
mail@reo-pack.com - www.reo-pack.com

Sheet scale: 1:2  
Date: 14-02-08  
Sign. jpb  
Repl. 11.703.3/03.1037.4

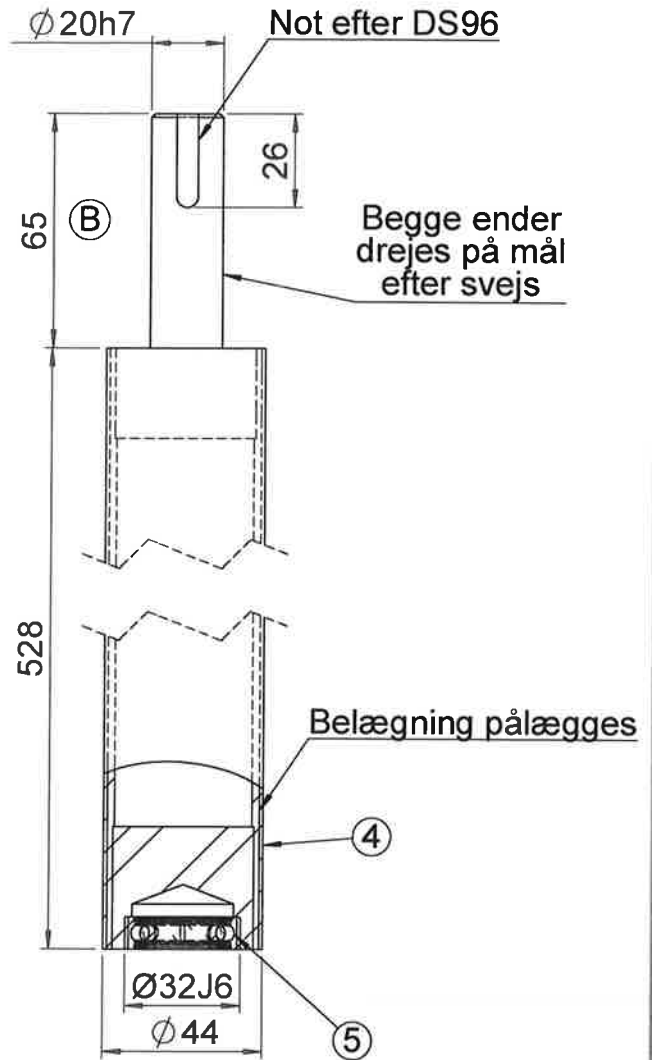
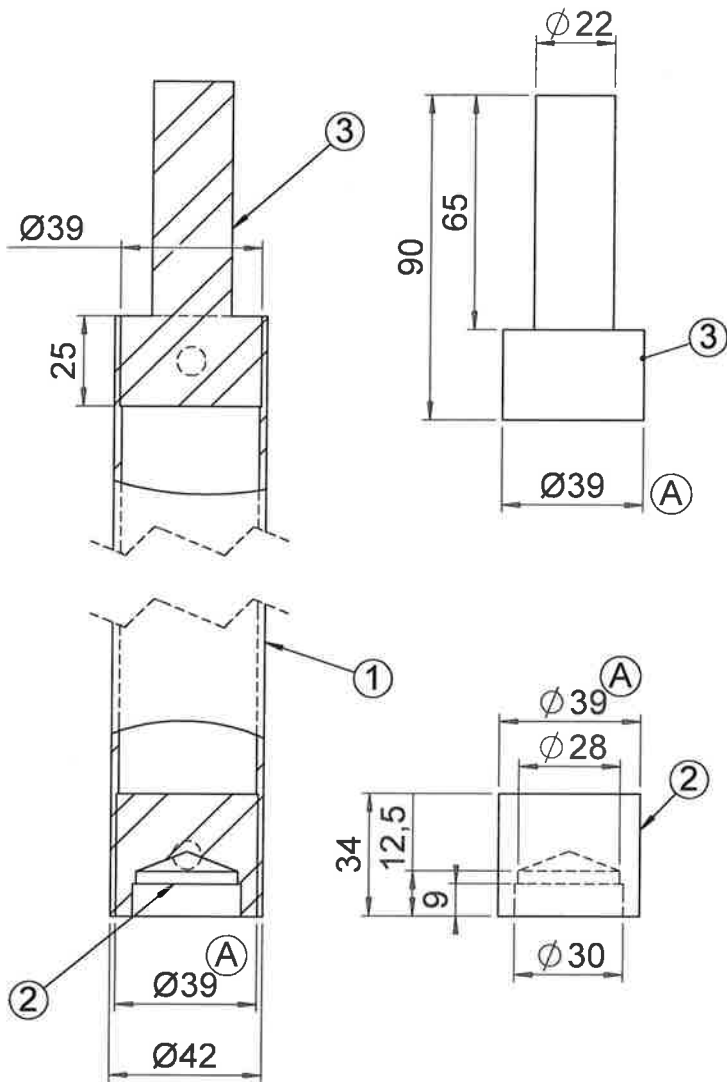
Tolerances: DS/ISO 2768

mm	Fine	Medium	Coarse
-6	±0.05	±0.1	±0.2
>6-30	±0.1	±0.2	±0.5
>30-120	±0.15	±0.3	±0.8
>120-400	±0.2	±0.5	±1.2
>400-1000q	±0.3	±0.8	±2.0

Drawing No: \*090-03-0025  
rev.

Folieslæde Cpl

S.090.S2000 Swing 03-Svejseløsninger  
090-03-0025 Forstræksvalse Ø80\_Ø82



Rev.No.	Description	Date	Sign.
A	Ø38,3+Ø38,35 ændret til Ø39	06-04-2011	HN
B	Akseltap 68->65	10-05-2017	HN

Pos	Part Number	Title	Matr/Spec.	Pcs.	Kg.
1	*090-06-0039	Rør forstræksvalse Ø42	Ø42x2mm, L=528	1	1.011
2	*090-06-0037	Bund forstræksvalse Ø40	Ø40	1	0.243
3	*090-06-0038	Top forstræksvalse Ø40	Ø40	1	0.429
4	090-06-0040	Valsebelægning Ø42	3-M Safety walk R-M Grå 50mm. L=1,6mtr.	1	0.071
5	3600-15-0006	Sporkugle leje	6002-2RS C3 (Ø15/Ø32)	1	0.004

This drawing is our property and should not be shown, made available to third person, not copied or used in any other way, without our consent in writing.

# REO-PACK

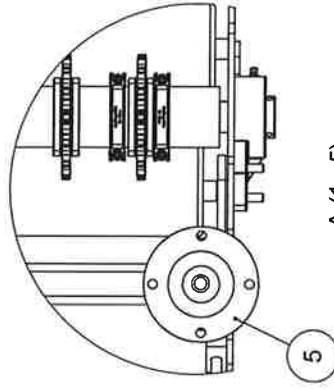
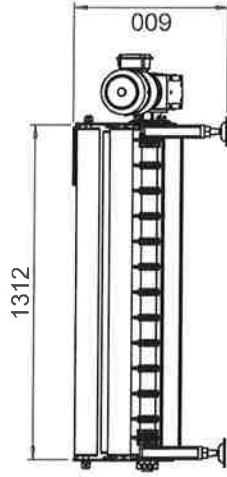
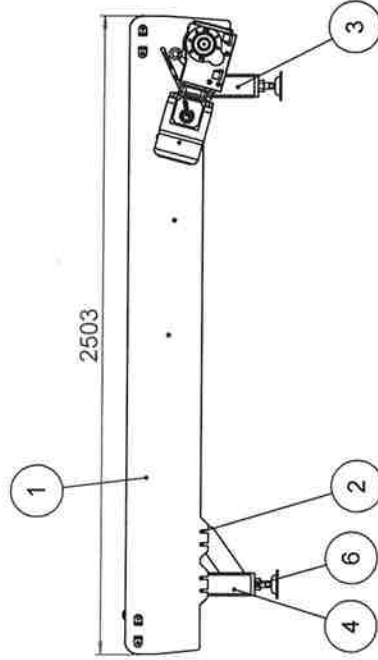
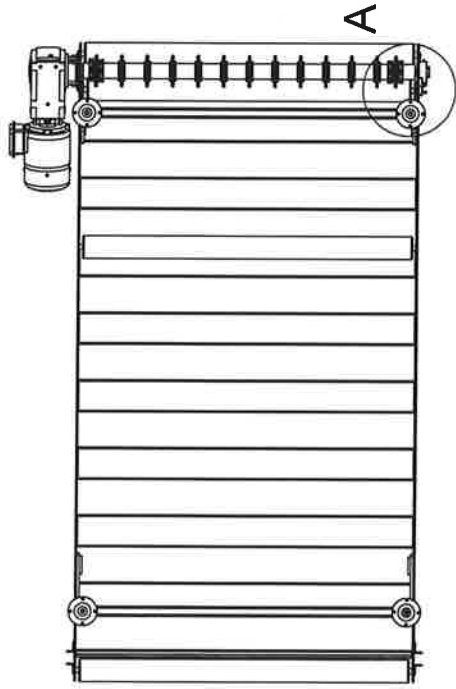
Kongsdal Havn 4 - DK-9550 Mariager - Denmark  
Tel/Ph.+45 98584100 - Fax.+45 98584188  
mail@reo-pack.com - www.reo-pack.com

Sheet scale:	Surf:	Afsyres-
1:2	Date:	Sign.
	Date:	25-02-08
	Repl.	11-581-4

Tolerances: DS/ISO 2768			
mm	Fin	Middel	Grov
-6	±0,05	±0,1	±0,2
>6-30	±0,1	±0,2	±0,5
>30-120	±0,15	±0,3	±0,8
>120-400	±0,2	±0,5	±1,2
>400-1000	±0,3	±0,8	±2,0

Forstræksvalse Ø42 SV.  
Folieslæde Cpl.

Drawing No:	rev.
*090-03-0027	B
S:\090-53000 Swing\03-Svejs samlinger\090-03-0027 Forstræksvalse Ø42 Cpl.	A4



A (1 : 5)

Pos	Part Number	R Title	Matr/Spec.	Pcs.	Kg.
1	220-02-0072	Flattop kpl. (NG)	L2500-B1300	1	296
2	220-05-0002	Spændebeslag f. ben	Fladstål 25x10	6	0.768
3	220-03-0159	Ben flattopbane	Svt.	1	12.518
4	220-03-0160	Ben flattopbane	Svt.	1	15.244
5	4828-03-0001	967578 justerbar fod M24 Ø113	H210	4	0.384
6	4601-03-0005	Møtrik M24	M24	4	0

This drawing is our property and is not to be made available to third parties, not copied or used in any other way, without our consent in writing.

**REOPACK**

Kongsdal Havn 4 - DK-9550 Marbjerg - Denmark  
Tel/Pn. +45 98584100 - Fax. +45 98584188  
mail@reo-pack.com - www.reo-pack.com

Sheet scale:

1:20

Surf:

Date:

26-04-18

Sign.

din

Tolerances: DS/ISO 2768

mm	Fine	Medium	Coarse
<6	±0.05	±0.1	±0.2
>6-30	±0.1	±0.2	±0.5
>30-120	±0.15	±0.3	±0.8
>120-400	±0.2	±0.5	±1.2
>400-1000	±0.3	±0.8	±2.0

Flattop kpl. (NG)

L2500-B1300 Højre

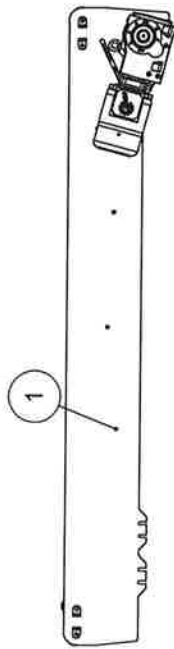
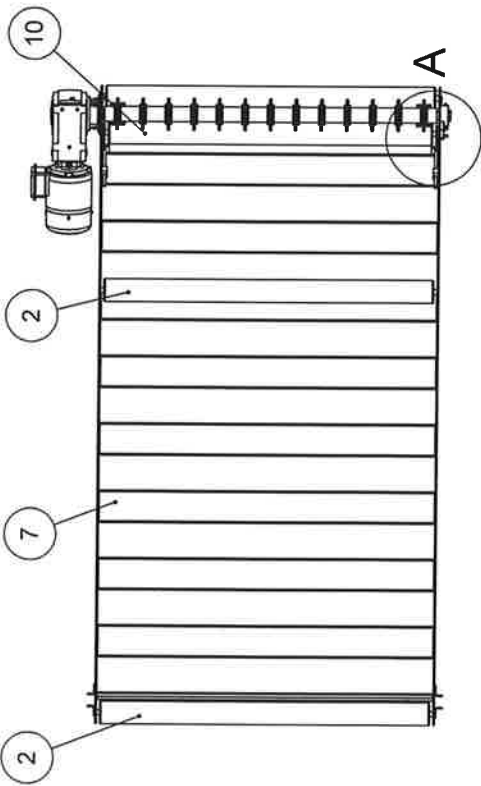
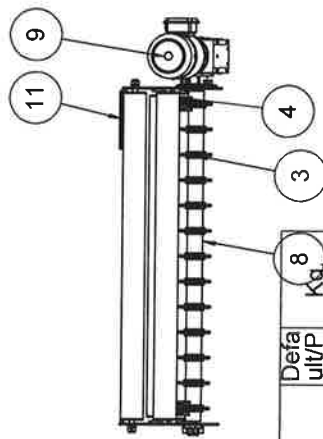
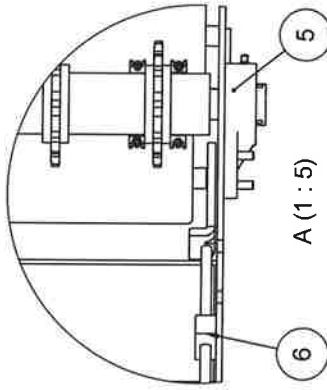
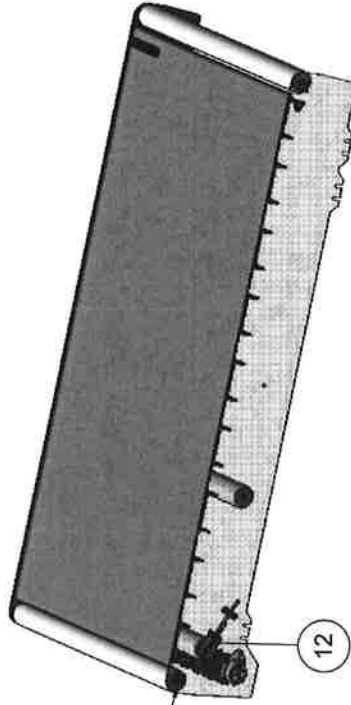
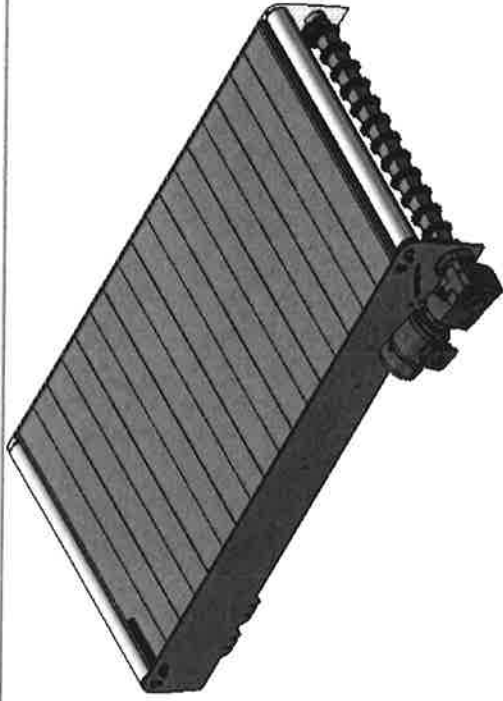
Drawing No:

220-01-0086

rev.

S.220-Flattopbaner V0 - Samlinger/komplekter  
220-01-0086 Flattop (NG) m. ben L2500-B 1300 H400

A3



Pos	Part Number	R Title	Matr/Spec.	Defa ult/P CS.	8 Kg
1	220-03-0161	Flattop Sv.	L2500-B1300	1	0
2	4201-20-0007	Venderulle REO2020	Ø89/20 20.5.0.11 T=1286 *A3M12 E=1312	3	0
3	4015-01-0001	Forbo Siegling Drivhjul	S8-Z15 SPR PA LG SQ60MM(98075599)	13	0
4	4020-06-0001	Forbo Siegling Lås	RTR PA LG (SS) SQ60MM (98168899)	4	0
5	*3608-01-0002	Flangeleje UCFB 206	Ø30	1	0
6	220-04-0005	Montage beslag	Firk.stål 20x20, L=60. El.galv.	2	0
7	220-04-0091	A Glideplade L2500-B1300	RF 2 mm pl.	1	0
8	220-06-0069	Aksel flattop 60x60	Automatstål 60x60, L=1556	1	0
9	202314022.4 00	SK9016.1AF-90LP/4 TF	1.5KW, i=46,11 n2=31, 467Nm, M1A, KK3-1, Ø40, Flange = ø160	1	0
10	4201-20-0024	Venderulle	Ø89x2.9-A20-IGM12- EL=1290	1	0
11	4006-01-0003	Forbo Siegling Bånd	S8-0 FLT PP BL B=1300 L=6000 (980316)	1	0
12	900-11-0013	Starmmebeslag	Assembly	2	0
13	180-04-1871	A Beslag for Stramenh.	5mm pl.	8	0

This drawing is our property and should not be shown, made visible to third person, copied or used in any other way, without our consent in writing.

Tolerances: DS/ISO 2768

mm	Fine	Medium	Coarse
-6	±0.05	±0.1	±0.2
>6-30	±0.1	±0.2	±0.5
>30-120	±0.15	±0.3	±0.8
>120-400	±0.2	±0.5	±1.2
>400-1000	±0.3	±0.8	±2.0

**REO-PACK**

Kongsdal Havn 4 - DK-9550 Marbjerg - Denmark  
Tel/Ph:+45 98584100 - Fax:+45 98584188  
mail@reo-pack.com - www.reo-pack.com

Flattop kpl. (NG)  
L2500-B1300

Sheet scale:

1:20

Surf:

Date:

26-04-18

Sign.

din

Repl.

Drawing No:

220-02-0072

rev.

5:20-FotokopierV02-Montage undsamlinger\220-02-0072 Flattop kpl. (NG) L2500-B1300.rvt A3